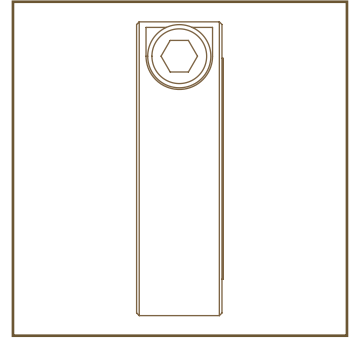
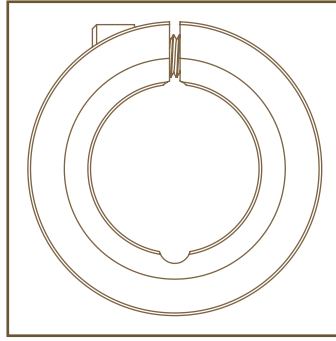
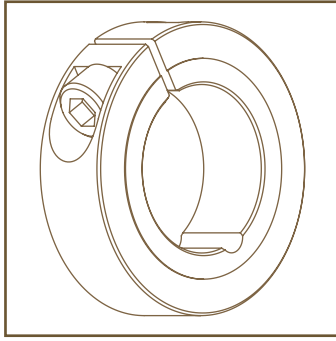


ONE-PIECE COLLAR - CCM SERIES - INCH



whittet-higgins company



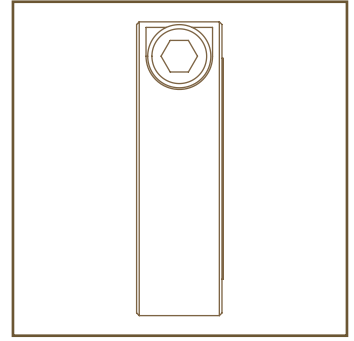
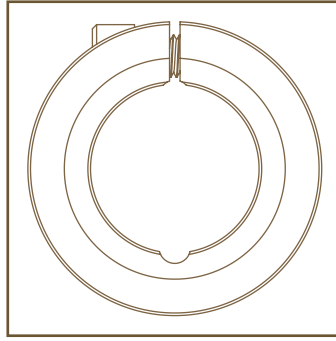
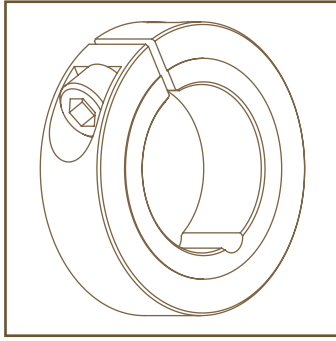
PART NUMBER	BORE	MAX OUTSIDE DIAMETER (MM)	MAX WIDTH (MM)	SOCKET HEAD CAP SCREW	SUGGESTED SCREW TORQUE (KN)	CAD MODEL	PART PRINT
CCM-003	3.0	15.9	8.1	M3	1.9	STEP	PDF
CCM-004	4.0	15.9	8.1	M3	1.9	STEP	PDF
CCM-005	5.0	15.9	8.1	M3	1.9	STEP	PDF
CCM-006	6.0	18.0	8.1	M3	1.9	STEP	PDF
CCM-007	7.0	18.0	8.1	M3	1.9	STEP	PDF
CCM-008	8.0	18.0	8.1	M3	1.9	STEP	PDF
CCM-009	9.0	22.2	9.0	M3	1.9	STEP	PDF
CCM-010	10.0	22.2	9.0	M3	1.9	STEP	PDF
CCM-011	11.0	28.6	11.3	M4	2.7	STEP	PDF
CCM-012	12.0	28.6	11.3	M4	2.7	STEP	PDF
CCM-013	13.0	28.6	11.3	M4	2.7	STEP	PDF
CCM-014	14.0	33.3	13.1	M5	5.6	STEP	PDF
CCM-015	15.0	33.3	13.1	M5	5.6	STEP	PDF
CCM-016	16.0	33.3	13.1	M5	5.6	STEP	PDF
CCM-017	17.0	38.1	14.1	M6	10.1	STEP	PDF
CCM-018	18.0	38.1	14.1	M6	10.1	STEP	PDF
CCM-019	19.0	41.3	14.1	M6	10.1	STEP	PDF
CCM-020	20.0	41.3	14.1	M6	10.1	STEP	PDF
CCM-021	21.0	41.3	14.1	M6	10.1	STEP	PDF
CCM-022	22.0	41.3	14.1	M6	10.1	STEP	PDF
CCM-023	23.0	44.5	14.1	M6	10.1	STEP	PDF
CCM-024	24.0	44.5	14.1	M6	10.1	STEP	PDF
CCM-025	25.0	47.6	14.1	M6	10.1	STEP	PDF
CCM-026	26.0	47.6	14.1	M6	10.1	STEP	PDF
CCM-027	27.0	52.4	15.1	M6	10.1	STEP	PDF
CCM-028	28.0	52.4	15.1	M6	10.1	STEP	PDF
CCM-029	29.0	52.4	15.1	M6	10.1	STEP	PDF
CCM-030	30.0	52.4	15.1	M6	10.1	STEP	PDF
CCM-031	31.0	57.2	15.1	M6	10.1	STEP	PDF
CCM-032	32.0	57.2	15.1	M6	10.1	STEP	PDF
CCM-033	33.0	57.2	15.1	M6	10.1	STEP	PDF
CCM-034	34.0	57.2	15.1	M6	10.1	STEP	PDF
CCM-035	35.0	60.3	15.1	M6	10.1	STEP	PDF
CCM-036	36.0	60.3	15.1	M6	10.1	STEP	PDF

FOR ADDITIONAL ENGINEERING SUPPORT: (401) 728-0700

ONE-PIECE COLLAR - CC SERIES - METRIC



whittet-higgins company



PART NUMBER	BORE	MAX OUTSIDE DIAMETER (MM)	MAX WIDTH (MM)	SOCKET HEAD CAP SCREW	SUGGESTED SCREW TORQUE (KN)	CAD MODEL	PART PRINT
CCM-037	37.0	60.3	15.1	M6	10.1	STEP	PDF
CCM-038	38.0	60.3	15.1	M6	10.1	STEP	PDF
CCM-039	39.0	63.5	15.1	M6	10.1	STEP	PDF
CCM-040	40.0	63.5	15.1	M6	10.1	STEP	PDF
CCM-041	41.0	63.5	15.1	M6	10.1	STEP	PDF
CCM-042	42.0	63.5	15.1	M6	10.1	STEP	PDF
CCM-045	45.0	73.0	18.0	M8	29.4	STEP	PDF
CCM-050	50.0	76.2	18.0	M8	29.4	STEP	PDF
CCM-055	55.0	82.6	18.0	M8	29.4	STEP	PDF
CCM-060	60.0	88.9	18.0	M8	29.4	STEP	PDF
CCM-065	65.0	95.3	18.0	M8	29.4	STEP	PDF
CCM-070	70.0	101.6	18.0	M8	29.4	STEP	PDF
CCM-075	75.0	108.0	18.0	M8	29.4	STEP	PDF
CCM-080	80.0	114.3	18.0	M8	29.4	STEP	PDF
CCM-085	85.0	120.7	18.0	M8	29.4	STEP	PDF
CCM-090	90.0	123.7	18.0	M8	29.4	STEP	PDF
CCM-095	95.0	134.9	21.1	M10	56.5	STEP	PDF
CCM-100	100.0	139.7	21.1	M10	56.5	STEP	PDF

FOR ADDITIONAL ENGINEERING SUPPORT: (401) 728-0700