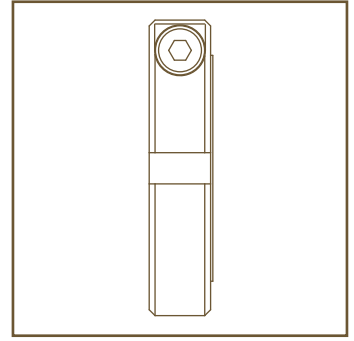
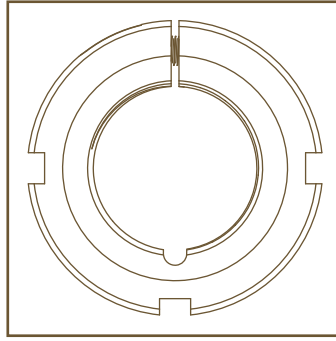
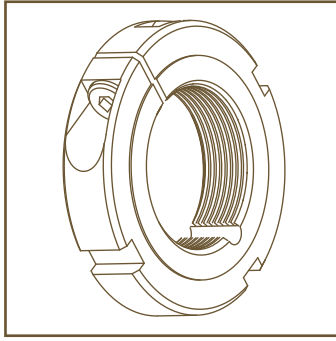


ONE-PIECE CLAMPNUT - CNB SERIES - INCH



whittet-higgins company



PART NUMBER	THREAD	MAX OUTSIDE DIAMETER (INCHES)	MAX FACE DIAMETER (INCHES)	MAX WIDTH (INCHES)	THEORETICAL AXIAL LOAD (LBS)	SOCKET HEAD CAP SCREW	SUGGESTED SCREW TORQUE (IN-LBS)	CAD MODEL	PART PRINT
CNB-00	0.391-32	1.125	0.620	0.385	6900	M4	24	STEP	PDF
CNB-01	0.469-32	1.125	0.710	0.385	8600	M4	24	STEP	PDF
CNB-02	0.586-32	1.312	0.810	0.385	11000	M4	24	STEP	PDF
CNB-03	0.664-32	1.500	0.930	0.510	15900	M6	70	STEP	PDF
CNB-04	0.781-32	1.750	1.120	0.510	19200	M6	70	STEP	PDF
CNB-05	0.969-32	1.875	1.280	0.510	24800	M6	70	STEP	PDF
CNB-06	1.173-18	2.062	1.500	0.510	29700	M6	70	STEP	PDF
CNB-065	1.312-18	2.375	1.810	0.510	33700	M6	70	STEP	PDF
CNB-07	1.376-18	2.375	1.810	0.510	35500	M6	70	STEP	PDF
CNB-08	1.563-18	2.500	2.000	0.510	40900	M6	70	STEP	PDF
CNB-09	1.767-18	2.688	2.280	0.510	46400	M6	70	STEP	PDF
CNB-10	1.967-18	3.000	2.430	0.510	52100	M6	70	STEP	PDF
CNB-11	2.157-18	3.375	2.650	0.635	73000	M8	150	STEP	PDF
CNB-12	2.360-18	3.625	2.840	0.635	80500	M8	150	STEP	PDF
CNB-13	2.548-18	3.875	3.060	0.635	87400	M8	150	STEP	PDF
CNB-14	2.751-18	4.125	3.310	0.635	94900	M8	150	STEP	PDF
CNB-15	2.933-12	4.250	3.560	0.708	107000	M8	150	STEP	PDF
CNB-16	3.137-12	4.500	3.840	0.708	114400	M8	150	STEP	PDF
CNB-17	3.340-12	4.750	4.030	0.708	122300	M8	150	STEP	PDF
CNB-18	3.527-12	4.875	4.280	0.708	127700	M8	150	STEP	PDF
CNB-19	3.730-12	5.313	4.560	0.832	166600	M10	300	STEP	PDF
CNB-20	3.918-12	5.500	4.810	0.832	175400	M10	300	STEP	PDF
CNB-21	4.122-12	5.750	5.000	0.832	183400	M10	300	STEP	PDF
CNB-22	4.325-12	6.000	5.280	0.832	192800	M10	300	STEP	PDF
CNB-24	4.716-12	6.375	5.690	0.832	211000	M10	300	STEP	PDF
CNB-26	5.106-12	6.875	6.180	0.956	271900	M12	510	STEP	PDF
CNB-28	5.497-12	7.250	6.530	0.956	293500	M12	510	STEP	PDF
CNB-30	5.888-12	7.750	7.060	0.956	315100	M12	510	STEP	PDF
CNB-32	6.284-8	8.000	7.430	0.956	333900	M12	510	STEP	PDF
CNB-34	6.659-8	8.500	8.030	0.956	354400	M12	510	STEP	PDF
CNB-36	7.066-8	9.000	8.375	1.000	398500	M12	510	STEP	PDF
CNB-38	7.472-8	9.500	8.781	1.000	422000	M12	510	STEP	PDF
CNB-40	7.847-8	9.750	9.156	1.000	437600	M12	510	STEP	PDF

FOR ADDITIONAL ENGINEERING SUPPORT: (401) 728-0700