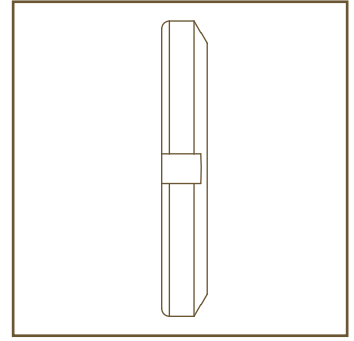
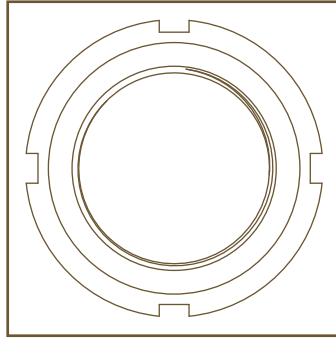
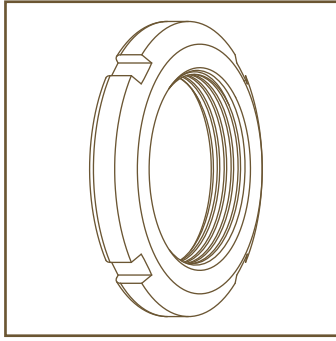


LOCKNUT - KML SERIES - LEFT-HANDED



whittet-higgins company



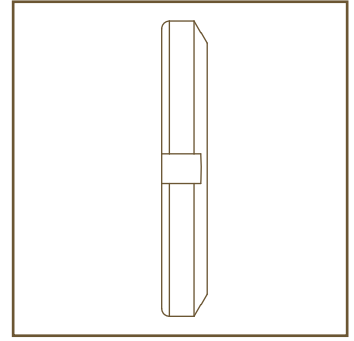
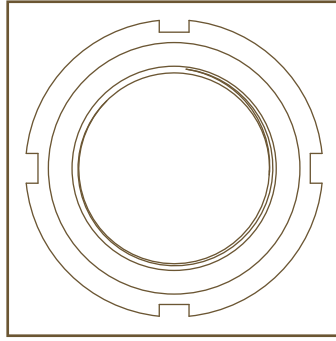
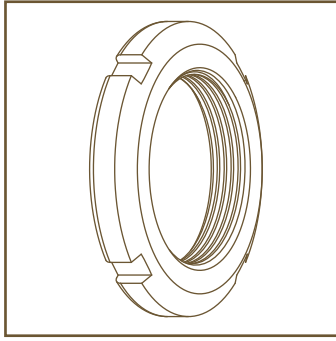
PART NUMBER	THREAD	MAX OUTSIDE DIAMETER (MM)	MAX FACE DIAMETER (MM)	MAX WIDTH (MM)	THEORETICAL AXIAL LOAD (KN)	CAD MODEL	PART PRINT
KML-00	M10 × 0,75	18.0	13.5	4.0	11	STEP	PDF
KML-01	M12 × 1	22.0	17.0	4.0	13	STEP	PDF
KML-02	M15 × 1	25.0	21.0	5.0	24	STEP	PDF
KML-03	M17 × 1	28.0	24.0	5.0	27	STEP	PDF
KML-04	M20 × 1	32.0	26.0	6.0	41	STEP	PDF
KML-044	M22 × 1	34.0	28.0	6.0	45	STEP	PDF
KML-05	M25 × 1,5	38.0	32.0	7.0	55	STEP	PDF
KML-056	M28 × 1,5	42.0	36.0	7.0	61	STEP	PDF
KML-06	M30 × 1,5	45.0	38.0	7.0	66	STEP	PDF
KML-064	M32 × 1,5	48.0	40.0	8.0	86	STEP	PDF
KML-07	M35 × 1,5	52.0	44.0	8.0	94	STEP	PDF
KML-08	M40 × 1,5	58.0	50.0	9.0	127	STEP	PDF
KML-09	M45 × 1,5	65.0	56.0	10.0	165	STEP	PDF
KML-10	M50 × 1,5	70.0	61.0	11.0	207	STEP	PDF
KML-11	M55 × 2	75.0	67.0	11.0	217	STEP	PDF
KML-12	M60 × 2	80.0	73.0	11.0	236	STEP	PDF
KML-13	M65 × 2	85.0	79.0	12.0	289	STEP	PDF
KML-14	M70 × 2	92.0	85.0	12.0	311	STEP	PDF
KML-15	M75 × 2	98.0	90.0	13.0	372	STEP	PDF
KML-16	M80 × 2	105.0	95.0	15.0	477	STEP	PDF
KML-17	M85 × 2	110.0	102.0	16.0	551	STEP	PDF
KML-18	M90 × 2	120.0	108.0	16.0	583	STEP	PDF
KML-19	M95 × 2	125.0	113.0	17.0	661	STEP	PDF
KML-20	M100 × 2	130.0	120.0	18.0	745	STEP	PDF
KML-21	M105 × 2	140.0	126.0	18.0	782	STEP	PDF
KML-22	M110 × 2	145.0	133.0	19.0	874	STEP	PDF
KML-23	M115 × 2	150.0	137.0	19.0	914	STEP	PDF
KML-24	M120 × 2	155.0	138.0	20.0	1014	STEP	PDF
KML-25	M125 × 2	160.0	148.0	21.0	1121	STEP	PDF
KML-26	M130 × 2	165.0	149.0	21.0	1166	STEP	PDF
KML-27	M135 × 2	170.0	160.0	22.0	1278	STEP	PDF
KML-28	M140 × 2	180.0	160.0	22.0	1326	STEP	PDF
KML-29	M145 × 2	190.0	171.0	24.0	1520	STEP	PDF
KML-30	M150 × 2	195.0	171.0	24.0	1573	STEP	PDF

FOR ADDITIONAL ENGINEERING SUPPORT: (401) 728-0700

LOCKNUT - KML SERIES - LEFT-HANDED



whittet-higgins company



PART NUMBER	THREAD	MAX OUTSIDE DIAMETER (MM)	MAX FACE DIAMETER (MM)	MAX WIDTH (MM)	THEORETICAL AXIAL LOAD (KN)	CAD MODEL	PART PRINT
KML-31	M155 × 3	200.0	182.0	25.0	1676	STEP	PDF
KML-32	M160 × 3	210.0	182.0	25.0	1731	STEP	PDF
KML-33	M165 × 3	210.0	193.0	26.0	1871	STEP	PDF
KML-34	M170 × 3	220.0	193.0	26.0	1928	STEP	PDF
KML-36	M180 × 3	230.0	203.0	27.0	2134	STEP	PDF
KML-38	M190 × 3	240.0	214.0	28.0	2337	STEP	PDF
KML-40	M200 × 3	250.0	226.0	29.0	2565	STEP	PDF

FOR ADDITIONAL ENGINEERING SUPPORT: (401) 728-0700