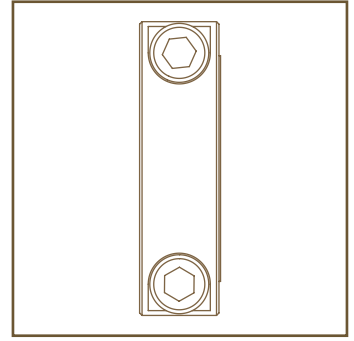
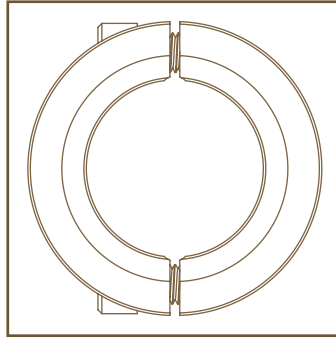
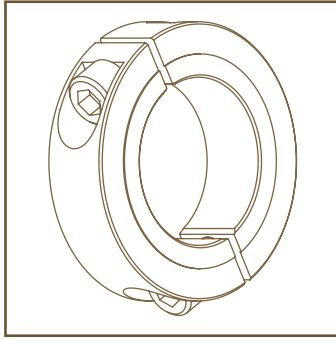




**whittet-higgins company**

## TWO-PIECE COLLAR - SC SERIES - ALUMINUM



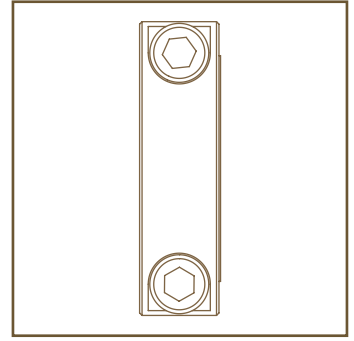
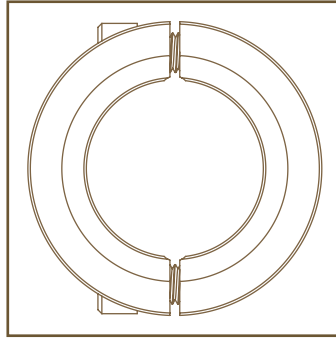
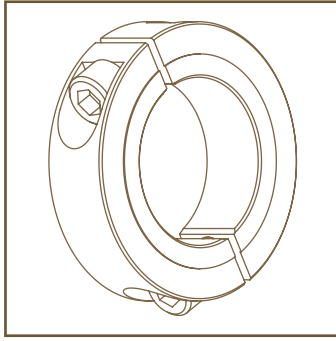
PART NUMBER	BORE	MAX OUTSIDE DIAMETER (INCHES)	MAX WIDTH (INCHES)	SOCKET HEAD CAP SCREW	SUGGESTED SCREW TORQUE (IN-LBS)	CAD MODEL	PART PRINT
SC-02A	0.125	0.625	0.286	4-40	14	<a href="#">STEP</a>	<a href="#">PDF</a>
SC-03A	0.187	0.625	0.286	4-40	14	<a href="#">STEP</a>	<a href="#">PDF</a>
SC-04A	0.250	0.625	0.286	4-40	14	<a href="#">STEP</a>	<a href="#">PDF</a>
SC-05A	0.312	0.688	0.286	4-40	14	<a href="#">STEP</a>	<a href="#">PDF</a>
SC-06A	0.375	0.875	0.349	6-32	25	<a href="#">STEP</a>	<a href="#">PDF</a>
SC-07A	0.437	0.938	0.349	6-32	25	<a href="#">STEP</a>	<a href="#">PDF</a>
SC-08A	0.500	1.125	0.450	10-32	60	<a href="#">STEP</a>	<a href="#">PDF</a>
SC-09A	0.562	1.312	0.450	10-32	60	<a href="#">STEP</a>	<a href="#">PDF</a>
SC-10A	0.625	1.312	0.450	10-32	60	<a href="#">STEP</a>	<a href="#">PDF</a>
SC-11A	0.687	1.500	0.520	1/4-28	150	<a href="#">STEP</a>	<a href="#">PDF</a>
SC-12A	0.750	1.500	0.520	1/4-28	150	<a href="#">STEP</a>	<a href="#">PDF</a>
SC-13A	0.812	1.625	0.520	1/4-28	150	<a href="#">STEP</a>	<a href="#">PDF</a>
SC-14A	0.875	1.625	0.520	1/4-28	150	<a href="#">STEP</a>	<a href="#">PDF</a>
SC-15A	0.937	1.750	0.520	1/4-28	150	<a href="#">STEP</a>	<a href="#">PDF</a>
SC-16A	1.000	1.750	0.520	1/4-28	150	<a href="#">STEP</a>	<a href="#">PDF</a>
SC-17A	1.062	1.875	0.520	1/4-28	150	<a href="#">STEP</a>	<a href="#">PDF</a>
SC-18A	1.125	1.875	0.520	1/4-28	150	<a href="#">STEP</a>	<a href="#">PDF</a>
SC-19A	1.187	2.062	0.520	1/4-28	150	<a href="#">STEP</a>	<a href="#">PDF</a>
SC-20A	1.250	2.062	0.520	1/4-28	150	<a href="#">STEP</a>	<a href="#">PDF</a>
SC-21A	1.312	2.250	0.567	1/4-28	150	<a href="#">STEP</a>	<a href="#">PDF</a>
SC-22A	1.375	2.250	0.567	1/4-28	150	<a href="#">STEP</a>	<a href="#">PDF</a>
SC-23A	1.437	2.375	0.567	1/4-28	150	<a href="#">STEP</a>	<a href="#">PDF</a>
SC-24A	1.500	2.375	0.567	1/4-28	150	<a href="#">STEP</a>	<a href="#">PDF</a>
SC-25A	1.562	2.375	0.567	1/4-28	150	<a href="#">STEP</a>	<a href="#">PDF</a>
SC-26A	1.625	2.750	0.645	5/16-24	260	<a href="#">STEP</a>	<a href="#">PDF</a>
SC-27A	1.687	2.750	0.645	5/16-24	260	<a href="#">STEP</a>	<a href="#">PDF</a>
SC-28A	1.750	2.750	0.645	5/16-24	260	<a href="#">STEP</a>	<a href="#">PDF</a>
SC-29A	1.812	2.875	0.645	5/16-24	260	<a href="#">STEP</a>	<a href="#">PDF</a>
SC-30A	1.875	2.875	0.645	5/16-24	260	<a href="#">STEP</a>	<a href="#">PDF</a>
SC-31A	1.937	3.000	0.645	5/16-24	260	<a href="#">STEP</a>	<a href="#">PDF</a>
SC-32A	2.000	3.000	0.645	5/16-24	260	<a href="#">STEP</a>	<a href="#">PDF</a>
SC-33A	2.062	3.250	0.760	5/16-24	260	<a href="#">STEP</a>	<a href="#">PDF</a>
SC-34A	2.125	3.250	0.760	5/16-24	260	<a href="#">STEP</a>	<a href="#">PDF</a>
SC-35A	2.187	3.250	0.760	5/16-24	260	<a href="#">STEP</a>	<a href="#">PDF</a>

FOR ADDITIONAL ENGINEERING SUPPORT: (401) 728-0700

# TWO-PIECE COLLAR - SC SERIES - ALUMINUM



**whittet-higgins company**



PART NUMBER	BORE	MAX OUTSIDE DIAMETER (INCHES)	MAX WIDTH (INCHES)	SOCKET HEAD CAP SCREW	SUGGESTED SCREW TORQUE (IN-LBS)	CAD MODEL	PART PRINT
SC-36A	2.250	3.250	0.760	5/16-24	260	<a href="#">STEP</a>	<a href="#">PDF</a>
SC-37A	2.312	3.500	0.760	5/16-24	260	<a href="#">STEP</a>	<a href="#">PDF</a>
SC-38A	2.375	3.500	0.760	5/16-24	260	<a href="#">STEP</a>	<a href="#">PDF</a>
SC-39A	2.437	3.750	0.880	3/8-24	500	<a href="#">STEP</a>	<a href="#">PDF</a>
SC-40A	2.500	3.750	0.880	3/8-24	500	<a href="#">STEP</a>	<a href="#">PDF</a>
SC-41A	2.562	4.000	0.880	3/8-24	500	<a href="#">STEP</a>	<a href="#">PDF</a>
SC-42A	2.625	4.000	0.880	3/8-24	500	<a href="#">STEP</a>	<a href="#">PDF</a>
SC-43A	2.687	4.000	0.880	3/8-24	500	<a href="#">STEP</a>	<a href="#">PDF</a>
SC-44A	2.750	4.000	0.880	3/8-24	500	<a href="#">STEP</a>	<a href="#">PDF</a>
SC-45A	2.812	4.250	0.880	3/8-24	500	<a href="#">STEP</a>	<a href="#">PDF</a>
SC-46A	2.875	4.250	0.880	3/8-24	500	<a href="#">STEP</a>	<a href="#">PDF</a>
SC-47A	2.937	4.250	0.880	3/8-24	500	<a href="#">STEP</a>	<a href="#">PDF</a>
SC-48A	3.000	4.250	0.880	3/8-24	500	<a href="#">STEP</a>	<a href="#">PDF</a>

FOR ADDITIONAL ENGINEERING SUPPORT: (401) 728-0700