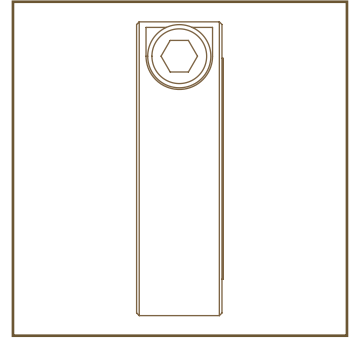
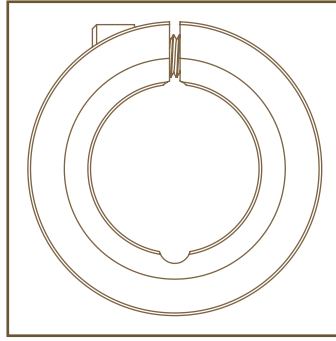
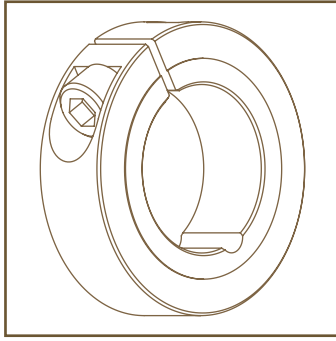


ONE-PIECE COLLAR - CC SERIES - INCH



whittet-higgins company



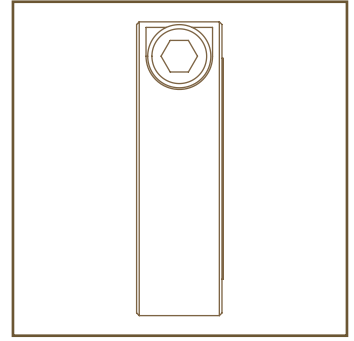
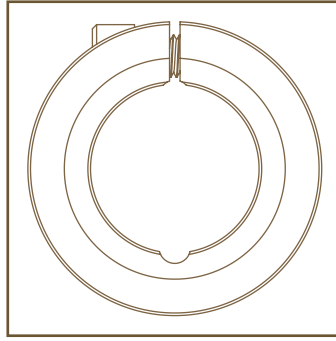
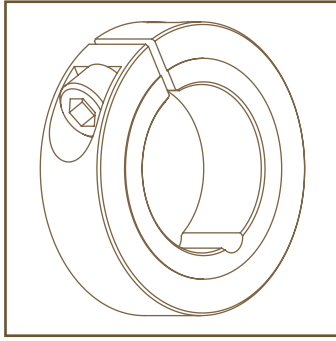
PART NUMBER	BORE	MAX OUTSIDE DIAMETER (INCHES)	MAX WIDTH (INCHES)	SOCKET HEAD CAP SCREW	SUGGESTED SCREW TORQUE (IN-LBS)	CAD MODEL	PART PRINT
CC-02	0.125	0.625	0.286	4-40	14	STEP	PDF
CC-03	0.187	0.625	0.286	4-40	14	STEP	PDF
CC-04	0.250	0.625	0.286	4-40	14	STEP	PDF
CC-05	0.312	0.688	0.286	4-40	14	STEP	PDF
CC-06	0.375	0.875	0.349	6-32	25	STEP	PDF
CC-07	0.437	0.938	0.349	6-32	25	STEP	PDF
CC-08	0.500	1.125	0.450	10-32	60	STEP	PDF
CC-09	0.562	1.312	0.450	10-32	60	STEP	PDF
CC-10	0.625	1.312	0.450	10-32	60	STEP	PDF
CC-11	0.687	1.500	0.520	1/4-28	150	STEP	PDF
CC-12	0.750	1.500	0.520	1/4-28	150	STEP	PDF
CC-13	0.812	1.625	0.520	1/4-28	150	STEP	PDF
CC-14	0.875	1.625	0.520	1/4-28	150	STEP	PDF
CC-15	0.937	1.750	0.520	1/4-28	150	STEP	PDF
CC-16	1.000	1.750	0.520	1/4-28	150	STEP	PDF
CC-17	1.062	1.875	0.520	1/4-28	150	STEP	PDF
CC-18	1.125	1.875	0.520	1/4-28	150	STEP	PDF
CC-19	1.187	2.062	0.520	1/4-28	150	STEP	PDF
CC-20	1.250	2.062	0.520	1/4-28	150	STEP	PDF
CC-21	1.312	2.250	0.567	1/4-28	150	STEP	PDF
CC-22	1.375	2.250	0.567	1/4-28	150	STEP	PDF
CC-23	1.437	2.375	0.567	1/4-28	150	STEP	PDF
CC-24	1.500	2.375	0.567	1/4-28	150	STEP	PDF
CC-25	1.562	2.375	0.567	1/4-28	150	STEP	PDF
CC-26	1.625	2.750	0.645	5/16-24	260	STEP	PDF
CC-27	1.687	2.750	0.645	5/16-24	260	STEP	PDF
CC-28	1.750	2.750	0.645	5/16-24	260	STEP	PDF
CC-29	1.812	2.875	0.645	5/16-24	260	STEP	PDF
CC-30	1.875	2.875	0.645	5/16-24	260	STEP	PDF
CC-31	1.937	3.000	0.645	5/16-24	260	STEP	PDF
CC-32	2.000	3.000	0.645	5/16-24	260	STEP	PDF
CC-33	2.062	3.250	0.760	5/16-24	260	STEP	PDF
CC-34	2.125	3.250	0.760	5/16-24	260	STEP	PDF
CC-35	2.187	3.250	0.760	5/16-24	260	STEP	PDF

FOR ADDITIONAL ENGINEERING SUPPORT: (401) 728-0700

ONE-PIECE COLLAR - CC SERIES - INCH



whittet-higgins company



PART NUMBER	BORE	MAX OUTSIDE DIAMETER (INCHES)	MAX WIDTH (INCHES)	SOCKET HEAD CAP SCREW	SUGGESTED SCREW TORQUE (IN-LBS)	CAD MODEL	PART PRINT
CC-36	2.250	3.250	0.760	5/16-24	260	STEP	PDF
CC-37	2.312	3.500	0.760	5/16-24	260	STEP	PDF
CC-38	2.375	3.500	0.760	5/16-24	260	STEP	PDF
CC-39	2.437	3.750	0.880	3/8-24	500	STEP	PDF
CC-40	2.500	3.750	0.880	3/8-24	500	STEP	PDF
CC-41	2.562	4.000	0.880	3/8-24	500	STEP	PDF
CC-42	2.625	4.000	0.880	3/8-24	500	STEP	PDF
CC-43	2.687	4.000	0.880	3/8-24	500	STEP	PDF
CC-44	2.750	4.000	0.880	3/8-24	500	STEP	PDF
CC-45	2.812	4.250	0.880	3/8-24	500	STEP	PDF
CC-46	2.875	4.250	0.880	3/8-24	500	STEP	PDF
CC-47	2.937	4.250	0.880	3/8-24	500	STEP	PDF
CC-48	3.000	4.250	0.880	3/8-24	500	STEP	PDF
CC-50	3.125	4.500	0.880	3/8-24	500	STEP	PDF
CC-52	3.250	4.500	0.880	3/8-24	500	STEP	PDF
CC-54	3.375	4.750	0.880	3/8-24	500	STEP	PDF
CC-56	3.500	4.750	0.880	3/8-24	500	STEP	PDF
CC-58	3.625	5.000	0.880	3/8-24	500	STEP	PDF
CC-60	3.750	5.000	0.880	3/8-24	500	STEP	PDF
CC-62	3.875	5.250	0.880	3/8-24	500	STEP	PDF
CC-64	4.000	5.250	0.880	3/8-24	500	STEP	PDF

FOR ADDITIONAL ENGINEERING SUPPORT: (401) 728-0700