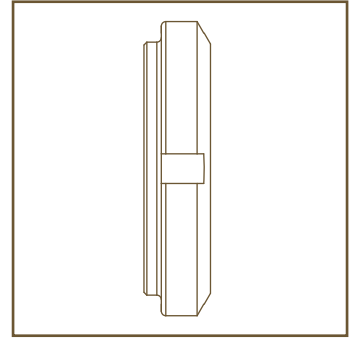
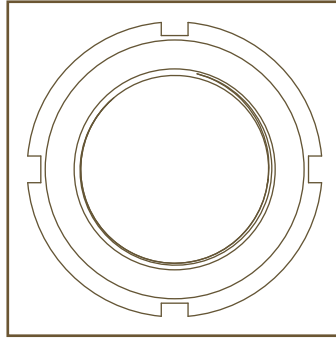
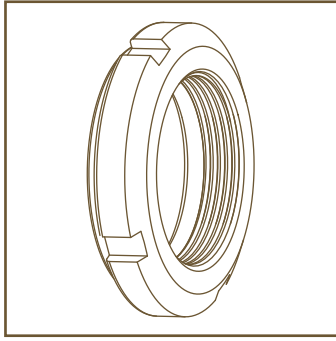




whittet-higgins company

BEARHUG - BMM SERIES - HIGH STRENGTH



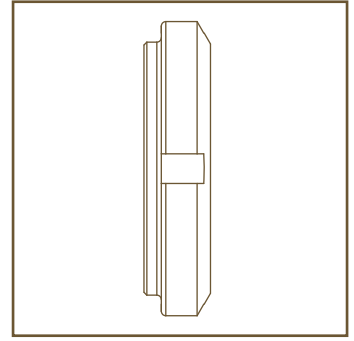
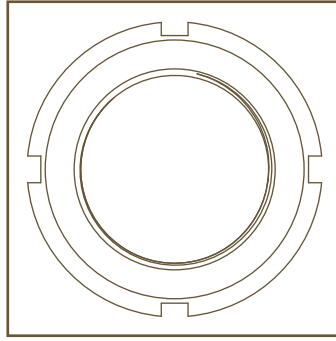
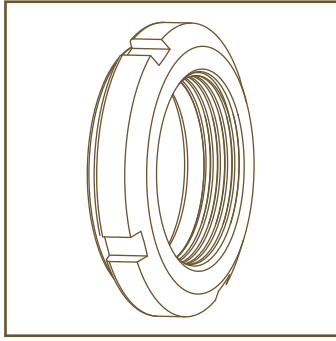
PART NUMBER	THREAD	MAX OUTSIDE DIAMETER (MM)	MAX FACE DIAMETER (MM)	MAX WIDTH (MM)	THEORETICAL AXIAL LOAD (KN)	CAD MODEL	PART PRINT
BMM-00	M10 × 0,75	18.0	13.5	7.0	19	STEP	PDF
BMM-01	M12 × 1	22.0	17.0	8.0	33	STEP	PDF
BMM-02	M15 × 1	25.0	21.0	8.5	47	STEP	PDF
BMM-03	M17 × 1	28.0	24.0	9.0	59	STEP	PDF
BMM-04	M20 × 1	32.0	26.0	10.0	84	STEP	PDF
BMM-044	M22 x 1	34.0	28.0	10.5	101	STEP	PDF
BMM-05	M25 × 1,5	38.0	32.0	11.0	97	STEP	PDF
BMM-056	M28 × 1,5	42.0	36.0	11.0	109	STEP	PDF
BMM-06	M30 × 1,5	45.0	38.0	11.5	127	STEP	PDF
BMM-064	M32 x 1,5	48.0	40.0	11.5	136	STEP	PDF
BMM-07	M35 × 1,5	52.0	44.0	12.0	161	STEP	PDF
BMM-08	M40 × 1,5	58.0	50.0	12.0	185	STEP	PDF
BMM-09	M45 × 1,5	65.0	56.0	13.0	241	STEP	PDF
BMM-10	M50 × 1,5	70.0	61.0	13.0	267	STEP	PDF
BMM-11	M55 × 2	75.0	67.0	15.0	308	STEP	PDF
BMM-12	M60 × 2	80.0	73.0	15.0	336	STEP	PDF
BMM-13	M65 × 2	85.0	79.0	15.0	364	STEP	PDF
BMM-14	M70 × 2	92.0	85.0	17.0	497	STEP	PDF
BMM-15	M75 × 2	98.0	90.0	17.0	510	STEP	PDF
BMM-16	M80 × 2	105.0	95.0	17.0	544	STEP	PDF
BMM-17	M85 × 2	110.0	102.0	18.0	643	STEP	PDF
BMM-18	M90 × 2	120.0	108.0	19.0	748	STEP	PDF
BMM-19	M95 × 2	125.0	113.0	20.0	857	STEP	PDF
BMM-20	M100 × 2	130.0	120.0	21.0	976	STEP	PDF
BMM-21	M105 × 2	140.0	126.0	21.0	945	STEP	PDF
BMM-22	M110 × 2	145.0	133.0	22.0	1041	STEP	PDF
BMM-23	M115 × 2	150.0	137.0	22.0	1089	STEP	PDF
BMM-24	M120 × 2	155.0	138.0	23.0	1270	STEP	PDF
BMM-25	M125 × 2	160.0	148.0	23.0	1323	STEP	PDF
BMM-26	M130 × 2	165.0	149.0	24.0	1478	STEP	PDF
BMM-27	M135 × 2	170.0	160.0	24.0	1535	STEP	PDF
BMM-28	M140 × 2	180.0	160.0	25.0	1709	STEP	PDF
BMM-29	M145 × 2	190.0	171.0	25.0	1770	STEP	PDF
BMM-30	M150 × 2	195.0	171.0	26.0	1947	STEP	PDF

FOR ADDITIONAL ENGINEERING SUPPORT: (401) 728-0700

BEARHUG - BMM SERIES - HIGH STRENGTH



whittet-higgins company



PART NUMBER	THREAD	MAX OUTSIDE DIAMETER (MM)	MAX FACE DIAMETER (MM)	MAX WIDTH (MM)	THEORETICAL AXIAL LOAD (KN)	CAD MODEL	PART PRINT
BMM-31	M155 × 3	200.0	182.0	27.0	1927	STEP	PDF
BMM-32	M160 × 3	210.0	182.0	28.0	1990	STEP	PDF
BMM-33	M165 × 3	210.0	193.0	28.0	2052	STEP	PDF
BMM-34	M170 × 3	220.0	193.0	29.0	2388	STEP	PDF
BMM-36	M180 × 3	230.0	203.0	30.0	2529	STEP	PDF
BMM-38	M190 × 3	240.0	214.0	31.0	2965	STEP	PDF
BMM-40	M200 × 3	250.0	226.0	32.0	3285	STEP	PDF

FOR ADDITIONAL ENGINEERING SUPPORT: (401) 728-0700