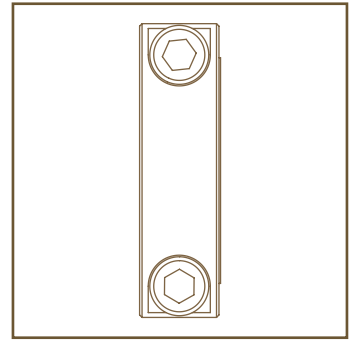
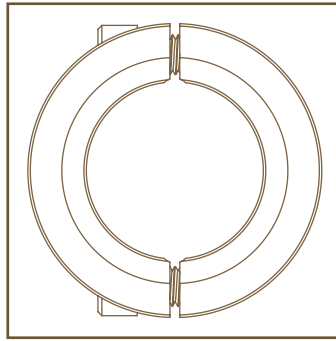
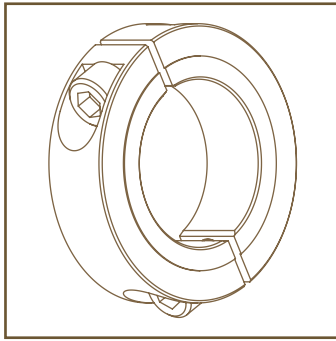


TWO-PIECE COLLAR - SC SERIES - STAINLESS



whittet-higgins company



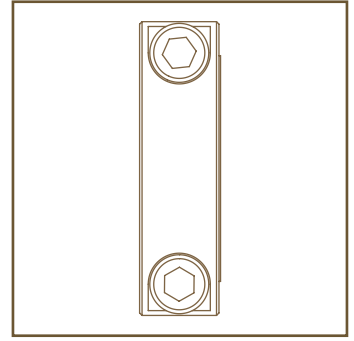
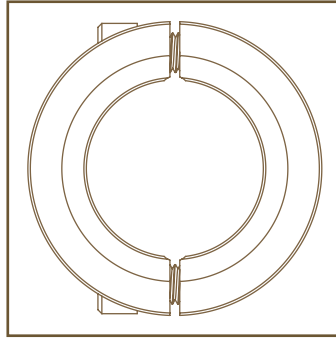
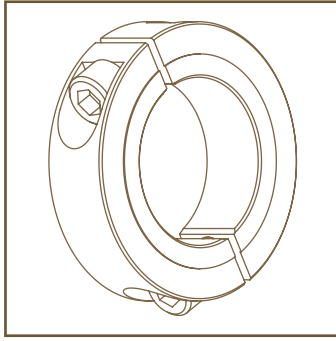
PART NUMBER	BORE	MAX OUTSIDE DIAMETER (INCHES)	MAX WIDTH (INCHES)	SOCKET HEAD CAP SCREW	SUGGESTED SCREW TORQUE (IN-LBS)	CAD MODEL	PART PRINT
SC-02S	0.125	0.625	0.286	4-40	10	STEP	PDF
SC-03S	0.187	0.625	0.286	4-40	10	STEP	PDF
SC-04S	0.250	0.625	0.286	4-40	10	STEP	PDF
SC-05S	0.312	0.688	0.286	4-40	10	STEP	PDF
SC-06S	0.375	0.875	0.349	6-32	18	STEP	PDF
SC-07S	0.437	0.938	0.349	6-32	18	STEP	PDF
SC-08S	0.500	1.125	0.450	10-32	42	STEP	PDF
SC-09S	0.562	1.312	0.450	10-32	42	STEP	PDF
SC-10S	0.625	1.312	0.450	10-32	42	STEP	PDF
SC-11S	0.687	1.500	0.520	1/4-28	105	STEP	PDF
SC-12S	0.750	1.500	0.520	1/4-28	105	STEP	PDF
SC-13S	0.812	1.625	0.520	1/4-28	105	STEP	PDF
SC-14S	0.875	1.625	0.520	1/4-28	105	STEP	PDF
SC-15S	0.937	1.750	0.520	1/4-28	105	STEP	PDF
SC-16S	1.000	1.750	0.520	1/4-28	105	STEP	PDF
SC-17S	1.062	1.875	0.520	1/4-28	105	STEP	PDF
SC-18S	1.125	1.875	0.520	1/4-28	105	STEP	PDF
SC-19S	1.187	2.062	0.520	1/4-28	105	STEP	PDF
SC-20S	1.250	2.062	0.520	1/4-28	105	STEP	PDF
SC-21S	1.312	2.250	0.567	1/4-28	105	STEP	PDF
SC-22S	1.375	2.250	0.567	1/4-28	105	STEP	PDF
SC-23S	1.437	2.375	0.567	1/4-28	105	STEP	PDF
SC-24S	1.500	2.375	0.567	1/4-28	105	STEP	PDF
SC-25S	1.562	2.375	0.567	1/4-28	105	STEP	PDF
SC-26S	1.625	2.750	0.645	5/16-24	182	STEP	PDF
SC-27S	1.687	2.750	0.645	5/16-24	182	STEP	PDF
SC-28S	1.750	2.750	0.645	5/16-24	182	STEP	PDF
SC-29S	1.812	2.875	0.645	5/16-24	182	STEP	PDF
SC-30S	1.875	2.875	0.645	5/16-24	182	STEP	PDF
SC-31S	1.937	3.000	0.645	5/16-24	182	STEP	PDF
SC-32S	2.000	3.000	0.645	5/16-24	182	STEP	PDF
SC-33S	2.062	3.250	0.760	5/16-24	182	STEP	PDF
SC-34S	2.125	3.250	0.760	5/16-24	182	STEP	PDF
SC-35S	2.187	3.250	0.760	5/16-24	182	STEP	PDF

FOR ADDITIONAL ENGINEERING SUPPORT: (401) 728-0700



whittet-higgins company

TWO-PIECE COLLAR - SC SERIES - STAINLESS



PART NUMBER	BORE	MAX OUTSIDE DIAMETER (INCHES)	MAX WIDTH (INCHES)	SOCKET HEAD CAP SCREW	SUGGESTED SCREW TORQUE (IN-LBS)	CAD MODEL	PART PRINT
SC-36S	2.250	3.250	0.760	5/16-24	182	STEP	PDF
SC-37S	2.312	3.500	0.760	5/16-24	182	STEP	PDF
SC-38S	2.375	3.500	0.760	5/16-24	182	STEP	PDF
SC-39S	2.437	3.750	0.880	3/8-24	350	STEP	PDF
SC-40S	2.500	3.750	0.880	3/8-24	350	STEP	PDF
SC-41S	2.562	4.000	0.880	3/8-24	350	STEP	PDF
SC-42S	2.625	4.000	0.880	3/8-24	350	STEP	PDF
SC-43S	2.687	4.000	0.880	3/8-24	350	STEP	PDF
SC-44S	2.750	4.000	0.880	3/8-24	350	STEP	PDF
SC-45S	2.812	4.250	0.880	3/8-24	350	STEP	PDF
SC-46S	2.875	4.250	0.880	3/8-24	350	STEP	PDF
SC-47S	2.937	4.250	0.880	3/8-24	350	STEP	PDF
SC-48S	3.000	4.250	0.880	3/8-24	350	STEP	PDF

FOR ADDITIONAL ENGINEERING SUPPORT: (401) 728-0700