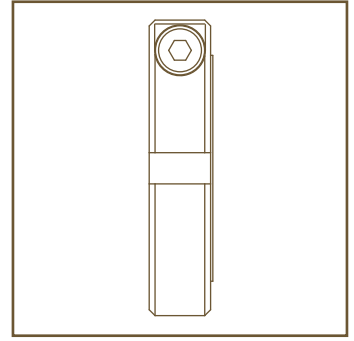
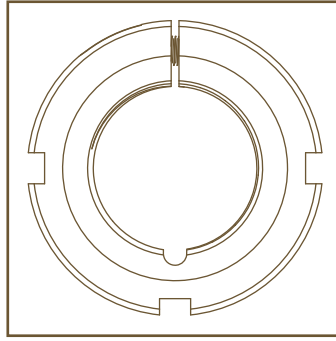
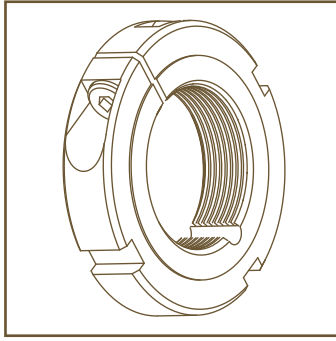




whittet-higgins company

ONE-PIECE CLAMPNUT - CNF SERIES - STAINLESS



PART NUMBER	THREAD	MAX OUTSIDE DIAMETER (INCHES)	MAX FACE DIAMETER (INCHES)	MAX WIDTH (INCHES)	THEORETICAL AXIAL LOAD (LBS)	SOCKET HEAD CAP SCREW	SUGGESTED SCREW TORQUE (IN-LBS)	CAD MODEL	PART PRINT
CNF03-32S	10-32	0.625	0.406	0.281	1700	4-40	14	STEP	PDF
CNF04-28S	0.250-28	0.625	0.406	0.281	2500	4-40	14	STEP	PDF
CNF05-24S	0.312-24	0.688	0.469	0.281	3300	4-40	14	STEP	PDF
CNF06-24S	0.375-24	0.875	0.594	0.344	5200	6-32	25	STEP	PDF
CNF07-20S	0.437-20	0.938	0.656	0.344	6200	6-32	25	STEP	PDF
CNF08-20S	0.500-20	1.125	0.781	0.437	9600	10-32	60	STEP	PDF
CNF10-18S	0.625-18	1.313	0.922	0.437	11300	10-32	60	STEP	PDF
CNF12-16S	0.750-16	1.500	1.063	0.500	17000	1/4-28	150	STEP	PDF
CNF14-14S	0.875-14	1.625	1.188	0.500	20300	1/4-28	150	STEP	PDF
CNF16-14S	1.000-12	1.750	1.313	0.500	23700	1/4-28	150	STEP	PDF
CNF16-12S	1.000-14	1.750	1.313	0.500	23100	1/4-28	150	STEP	PDF
CNF18-12S	1.125-12	1.875	1.438	0.500	26500	1/4-28	150	STEP	PDF
CNF20-12S	1.250-12	2.063	1.625	0.500	29800	1/4-28	150	STEP	PDF
CNF22-12S	1.375-12	2.250	1.719	0.563	37100	1/4-28	150	STEP	PDF
CNF24-12S	1.500-12	2.375	1.844	0.563	40800	1/4-28	150	STEP	PDF
CNF32-12S	2.000-12	3.000	2.469	0.563	64500	5/16-24	260	STEP	PDF

FOR ADDITIONAL ENGINEERING SUPPORT: (401) 728-0700