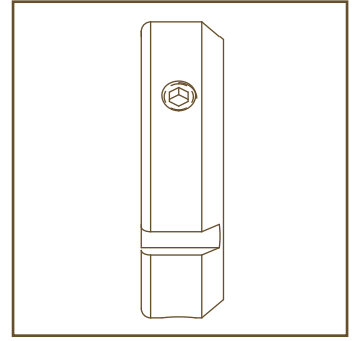
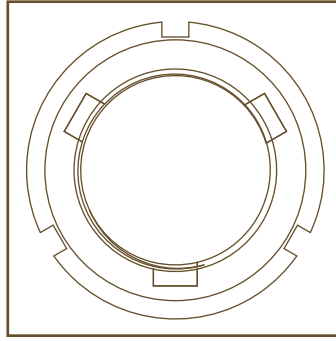
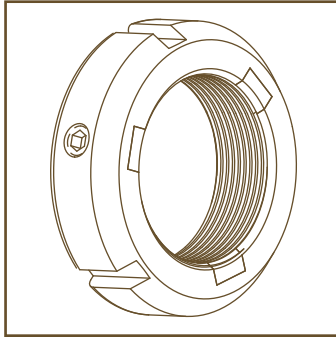


SHOELOK - NSHM SERIES - METRIC



whittet-higgins company



PART NUMBER	THREAD	MAX OUTSIDE DIAMETER (MM)	MAX FACE DIAMETER (MM)	MAX WIDTH (MM)	THEORETICAL AXIAL LOAD (KN)	HEX SET SCREW	SUGGESTED SCREW TORQUE (IN-LBS)	CAD MODEL	PART PRINT
NSHM-00	M10 X 0.75	19.2	15.9	9.3	27	8-32	20	STEP	PDF
NSHM-01	M12 X 1.0	22.4	18.3	9.3	38	8-32	20	STEP	PDF
NSHM-02	M15 X 1.0	25.5	20.7	10.4	64	8-32	20	STEP	PDF
NSHM-03	M17 X 1.0	28.5	23.8	10.4	75	8-32	20	STEP	PDF
NSHM-04	M20 X 1.0	34.8	28.6	12.2	100	10-24	35	STEP	PDF
NSHM-05	M25 X 1.5	39.6	32.5	13.5	149	10-24	35	STEP	PDF
NSHM-06	M30 X 1.5	44.5	38.1	14.2	190	1/4-20	80	STEP	PDF
NSHM-07	M35 X 1.5	52.3	46.0	14.2	234	1/4-20	80	STEP	PDF
NSHM-08	M40 X 1.5	57.2	50.8	14.2	278	1/4-20	80	STEP	PDF
NSHM-09	M45 X 1.5	64.3	57.9	14.2	321	1/4-20	80	STEP	PDF
NSHM-10	M50 X 1.5	68.3	62.0	16.0	413	1/4-20	80	STEP	PDF
NSHM-11	M55 X 2.0	75.4	67.6	16.0	441	1/4-20	80	STEP	PDF
NSHM-12	M60 X 2.0	80.3	72.1	16.8	518	1/4-20	80	STEP	PDF
NSHM-13	M65 X 2.0	85.9	77.7	18.3	619	1/4-20	80	STEP	PDF
NSHM-14	M70 X 2.0	92.2	84.1	18.3	675	1/4-20	80	STEP	PDF
NSHM-15	M75 X 2.0	98.6	90.4	19.1	730	1/4-20	80	STEP	PDF
NSHM-16	M80 X 2.0	105.7	97.5	19.1	785	1/4-20	80	STEP	PDF
NSHM-17	M85 X 2.0	112.0	102.4	19.8	857	5/16-18	150	STEP	PDF
NSHM-18	M90 X 2.0	118.4	108.7	22.4	1089	5/16-18	150	STEP	PDF
NSHM-19	M95 X 2.0	125.5	115.8	23.1	1203	5/16-18	150	STEP	PDF
NSHM-20	M100 X 2.0	131.8	122.2	23.9	1327	5/16-18	150	STEP	PDF
NSHM-21	M105 X 2.0	138.2	127.0	23.9	1400	5/16-18	150	STEP	PDF
NSHM-22	M110 X 2.0	145.3	134.1	24.6	1535	5/16-18	150	STEP	PDF
NSHM-24	M120 X 2.0	155.7	144.5	26.2	1767	3/8-16	270	STEP	PDF
NSHM-26	M130 X 2.0	171.5	157.2	27.7	2073	3/8-16	270	STEP	PDF
NSHM-28	M140 X 2.0	180.1	165.9	30.2	2475	3/8-16	270	STEP	PDF
NSHM-30	M150 X 2.0	195.3	179.3	31.8	2834	3/8-16	270	STEP	PDF
NSHM-32	M160 X 2.0	204.7	189.0	32.5	3103	7/16-14	400	STEP	PDF
NSHM-34	M170 X 2.0	220.0	204.0	34.0	3507	7/16-14	400	STEP	PDF
NSHM-36	M180 X 3.0	230.1	212.9	35.8	3931	7/16-14	400	STEP	PDF
NSHM-38	M190 X 3.0	240.5	223.0	35.8	4144	7/16-14	400	STEP	PDF
NSHM-40	M200 X 3.0	249.9	232.7	38.1	4718	7/16-14	400	STEP	PDF

FOR ADDITIONAL ENGINEERING SUPPORT: (401) 728-0700