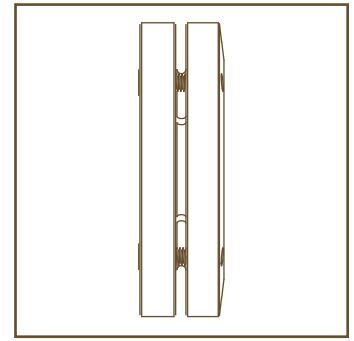
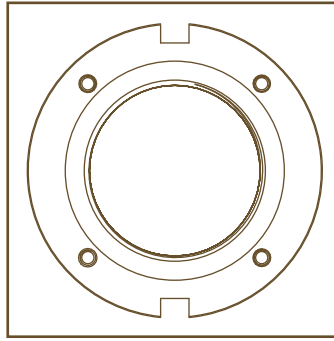
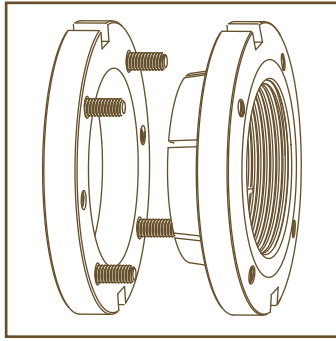


BEARLOK - BLM SERIES - METRIC



whittet-higgins company



PART NUMBER	THREAD	MAX OUTSIDE DIAMETER (MM)	MAX FACE DIAMETER (MM)	MAX WIDTH (MM)	THEORETICAL AXIAL LOAD (KN)	SOCKET HEAD CAP SCREW	SUGGESTED SCREW TORQUE (IN-LBS)	CAD MODEL	PART PRINT
BLM-02	M15 X 1.0	31.5	21.1	14.5	88	M3	17	STEP	PDF
BLM-03	M17 X 1.0	34.0	23.1	14.5	100	M3	17	STEP	PDF
BLM-04	M20 X 1.0	41.1	26.2	17.5	137	M4	24	STEP	PDF
BLM-05	M25 X 1.5	46.0	32.0	17.5	168	M4	24	STEP	PDF
BLM-06	M30 X 1.5	51.8	38.1	18.0	217	M4	24	STEP	PDF
BLM-07	M35 X 1.5	59.9	44.2	18.5	271	M4	24	STEP	PDF
BLM-08	M40 X 1.5	66.0	49.0	18.5	310	M4	24	STEP	PDF
BLM-09	M45 X 1.5	73.2	55.1	19.5	372	M5	35	STEP	PDF
BLM-10	M50 X 1.5	78.0	60.2	19.5	412	M5	35	STEP	PDF
BLM-11	M55 X 2.0	85.1	66.0	20.0	460	M5	35	STEP	PDF
BLM-12	M60 X 2.0	91.2	71.1	20.0	502	M5	35	STEP	PDF
BLM-13	M65 X 2.0	96.0	76.2	20.0	544	M5	35	STEP	PDF
BLM-14	M70 X 2.0	105.2	82.0	24.0	728	M6	70	STEP	PDF
BLM-15	M75 X 2.0	110.0	87.1	24.0	781	M6	70	STEP	PDF
BLM-16	M80 X 2.0	119.9	94.0	25.0	873	M6	70	STEP	PDF
BLM-17	M85 X 2.0	125.0	99.1	25.0	928	M6	70	STEP	PDF
BLM-18	M90 X 2.0	132.8	104.9	27.0	1074	M6	70	STEP	PDF
BLM-19	M95 X 2.0	138.9	110.0	27.0	1130	M6	70	STEP	PDF
BLM-20	M100 X 2.0	145.0	115.1	27.0	1189	M6	70	STEP	PDF
BLM-21	M105 X 2.0	150.1	120.9	28.0	1301	M6	70	STEP	PDF
BLM-22	M110 X 2.0	154.9	128.0	28.0	1363	M6	70	STEP	PDF
BLM-24	M120 X 2.0	165.1	137.9	28.0	1487	M6	70	STEP	PDF
BLM-26	M130 X 2.0	175.0	149.1	31.0	1809	M6	70	STEP	PDF
BLM-28	M140 X 2.0	185.2	160.0	32.5	2054	M6	70	STEP	PDF
BLM-30	M150 X 2.0	195.1	170.9	32.5	2201	M6	70	STEP	PDF
BLM-32	M160 X 2.0	210.1	182.1	36.5	2666	M8	100	STEP	PDF
BLM-34	M170 X 2.0	220.0	193.0	36.5	2833	M8	100	STEP	PDF
BLM-36	M180 X 3.0	230.1	203.2	38.5	3186	M8	100	STEP	PDF
BLM-38	M190 X 3.0	240.0	214.1	40.0	3346	M8	100	STEP	PDF
BLM-40	M200 X 3.0	249.9	226.1	42.0	3728	M8	100	STEP	PDF

FOR ADDITIONAL ENGINEERING SUPPORT: (401) 728-0700