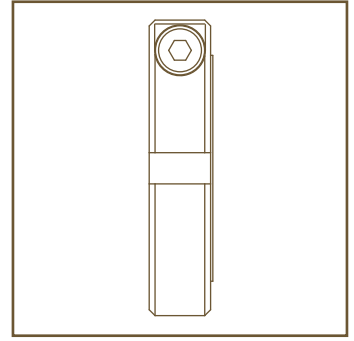
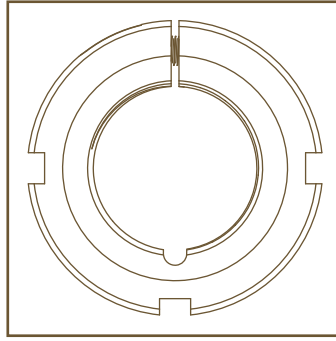
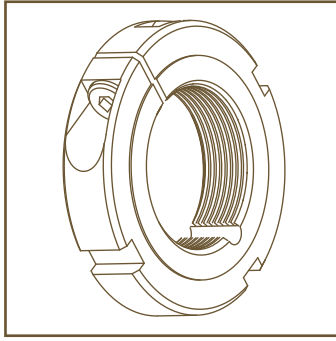


ONE-PIECE CLAMPNUT - CNC SERIES - COARSE



whittet-higgins company



PART NUMBER	THREAD	MAX OUTSIDE DIAMETER (INCHES)	MAX FACE DIAMETER (INCHES)	MAX WIDTH (INCHES)	THEORETICAL AXIAL LOAD (LBS)	SOCKET HEAD CAP SCREW	SUGGESTED SCREW TORQUE (IN-LBS)	CAD MODEL	PART PRINT
CNC2-32	8-32	0.625	0.406	0.281	1300	4-40	14	STEP	PDF
CNC3-24	10-24	0.625	0.406	0.281	1600	4-40	14	STEP	PDF
CNC4-20	0.250-20	0.625	0.406	0.281	2300	4-40	14	STEP	PDF
CNC5-18	0.312-18	0.688	0.469	0.281	3100	4-40	14	STEP	PDF
CNC6-16	0.375-16	0.875	0.594	0.344	4900	6-32	25	STEP	PDF
CNC7-14	0.438-14	0.938	0.656	0.344	5800	6-32	25	STEP	PDF
CNC8-13	0.500-13	1.125	0.781	0.437	7900	10-32	60	STEP	PDF
CNC10-11	0.625-11	1.313	0.922	0.437	10400	10-32	60	STEP	PDF
CNC12-10	0.750-10	1.500	1.063	0.500	15800	1/4-28	150	STEP	PDF
CNC14-9	0.875-9	1.625	1.188	0.500	18500	1/4-28	150	STEP	PDF
CNC16-8	1.000-8	1.750	1.313	0.500	21000	1/4-28	150	STEP	PDF
CNC18-7	1.125-7	1.875	1.438	0.500	22900	1/4-28	150	STEP	PDF
CNC20-7	1.250-7	2.063	1.625	0.500	25800	1/4-28	150	STEP	PDF
CNC22-6	1.375-6	2.250	1.719	0.563	30800	1/4-28	150	STEP	PDF
CNC24-6	1.500-6	2.375	1.844	0.563	33900	1/4-28	150	STEP	PDF

FOR ADDITIONAL ENGINEERING SUPPORT: (401) 728-0700