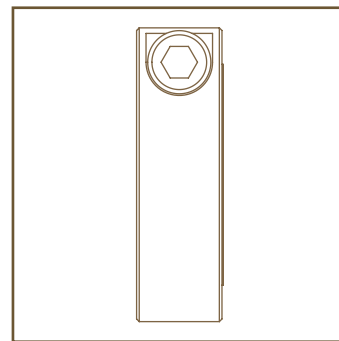
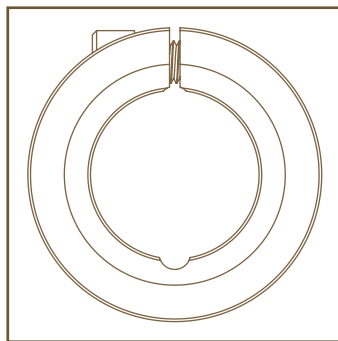
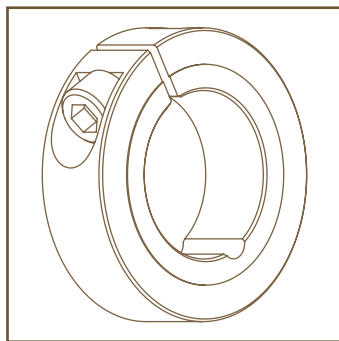




**whittet-higgins company**

## ONE-PIECE COLLAR - CC SERIES - STAINLESS



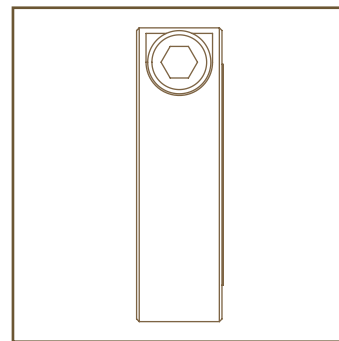
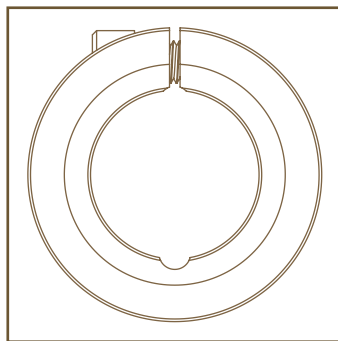
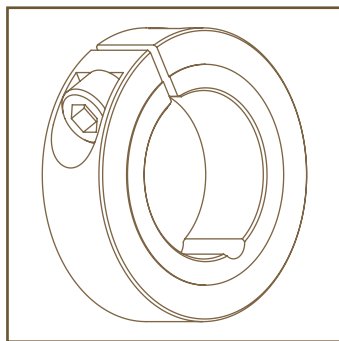
PART NUMBER	BORE	MAX OUTSIDE DIAMETER (INCHES)	MAX WIDTH (INCHES)	SOCKET HEAD CAP SCREW	SUGGESTED SCREW TORQUE (IN-LBS)	CAD MODEL	PART PRINT
CC-02S	0.1	0.6	0.3	4-40	10	<a href="#">STEP</a>	<a href="#">PDF</a>
CC-03S	0.2	0.6	0.3	4-40	10	<a href="#">STEP</a>	<a href="#">PDF</a>
CC-04S	0.3	0.6	0.3	4-40	10	<a href="#">STEP</a>	<a href="#">PDF</a>
CC-05S	0.3	0.7	0.3	4-40	10	<a href="#">STEP</a>	<a href="#">PDF</a>
CC-06S	0.4	0.9	0.3	6-32	18	<a href="#">STEP</a>	<a href="#">PDF</a>
CC-07S	0.4	0.9	0.3	6-32	18	<a href="#">STEP</a>	<a href="#">PDF</a>
CC-08S	0.5	1.1	0.5	10-32	42	<a href="#">STEP</a>	<a href="#">PDF</a>
CC-09S	0.6	1.3	0.5	10-32	42	<a href="#">STEP</a>	<a href="#">PDF</a>
CC-10S	0.6	1.3	0.5	10-32	42	<a href="#">STEP</a>	<a href="#">PDF</a>
CC-11S	0.7	1.5	0.5	1/4-28	105	<a href="#">STEP</a>	<a href="#">PDF</a>
CC-12S	0.8	1.5	0.5	1/4-28	105	<a href="#">STEP</a>	<a href="#">PDF</a>
CC-13S	0.8	1.6	0.5	1/4-28	105	<a href="#">STEP</a>	<a href="#">PDF</a>
CC-14S	0.9	1.6	0.5	1/4-28	105	<a href="#">STEP</a>	<a href="#">PDF</a>
CC-15S	0.9	1.8	0.5	1/4-28	105	<a href="#">STEP</a>	<a href="#">PDF</a>
CC-16S	1.0	1.8	0.5	1/4-28	105	<a href="#">STEP</a>	<a href="#">PDF</a>
CC-17S	1.1	1.9	0.5	1/4-28	105	<a href="#">STEP</a>	<a href="#">PDF</a>
CC-18S	1.1	1.9	0.5	1/4-28	105	<a href="#">STEP</a>	<a href="#">PDF</a>
CC-19S	1.2	2.1	0.5	1/4-28	105	<a href="#">STEP</a>	<a href="#">PDF</a>
CC-20S	1.3	2.1	0.5	1/4-28	105	<a href="#">STEP</a>	<a href="#">PDF</a>
CC-21S	1.3	2.3	0.6	1/4-28	105	<a href="#">STEP</a>	<a href="#">PDF</a>
CC-22S	1.4	2.3	0.6	1/4-28	105	<a href="#">STEP</a>	<a href="#">PDF</a>
CC-23S	1.4	2.4	0.6	1/4-28	105	<a href="#">STEP</a>	<a href="#">PDF</a>
CC-24S	1.5	2.4	0.6	1/4-28	105	<a href="#">STEP</a>	<a href="#">PDF</a>
CC-25S	1.6	2.4	0.6	1/4-28	105	<a href="#">STEP</a>	<a href="#">PDF</a>
CC-26S	1.6	2.8	0.6	5/16-24	182	<a href="#">STEP</a>	<a href="#">PDF</a>
CC-27S	1.7	2.8	0.6	5/16-24	182	<a href="#">STEP</a>	<a href="#">PDF</a>
CC-28S	1.8	2.8	0.6	5/16-24	182	<a href="#">STEP</a>	<a href="#">PDF</a>
CC-29S	1.8	2.9	0.6	5/16-24	182	<a href="#">STEP</a>	<a href="#">PDF</a>
CC-30S	1.9	2.9	0.6	5/16-24	182	<a href="#">STEP</a>	<a href="#">PDF</a>
CC-31S	1.9	3.0	0.6	5/16-24	182	<a href="#">STEP</a>	<a href="#">PDF</a>
CC-32S	2.0	3.0	0.6	5/16-24	182	<a href="#">STEP</a>	<a href="#">PDF</a>
CC-33S	2.1	3.3	0.8	5/16-24	182	<a href="#">STEP</a>	<a href="#">PDF</a>
CC-34S	2.1	3.3	0.8	5/16-24	182	<a href="#">STEP</a>	<a href="#">PDF</a>
CC-35S	2.2	3.3	0.8	5/16-24	182	<a href="#">STEP</a>	<a href="#">PDF</a>

FOR ADDITIONAL ENGINEERING SUPPORT: (401) 728-0700



**whittet-higgins company**

## ONE-PIECE COLLAR - CC SERIES - STAINLESS



PART NUMBER	BORE	MAX OUTSIDE DIAMETER (INCHES)	MAX WIDTH (INCHES)	SOCKET HEAD CAP SCREW	SUGGESTED SCREW TORQUE (IN-LBS)	CAD MODEL	PART PRINT
CC-36S	2.250	3.250	0.760	5/16-24	182	<a href="#">STEP</a>	<a href="#">PDF</a>
CC-37S	2.312	3.500	0.760	5/16-24	182	<a href="#">STEP</a>	<a href="#">PDF</a>
CC-38S	2.375	3.500	0.760	5/16-24	182	<a href="#">STEP</a>	<a href="#">PDF</a>
CC-39S	2.437	3.750	0.880	3/8-24	350	<a href="#">STEP</a>	<a href="#">PDF</a>
CC-40S	2.500	3.750	0.880	3/8-24	350	<a href="#">STEP</a>	<a href="#">PDF</a>
CC-41S	2.562	4.000	0.880	3/8-24	350	<a href="#">STEP</a>	<a href="#">PDF</a>
CC-42S	2.625	4.000	0.880	3/8-24	350	<a href="#">STEP</a>	<a href="#">PDF</a>
CC-43S	2.687	4.000	0.880	3/8-24	350	<a href="#">STEP</a>	<a href="#">PDF</a>
CC-44S	2.750	4.000	0.880	3/8-24	350	<a href="#">STEP</a>	<a href="#">PDF</a>
CC-45S	2.812	4.250	0.880	3/8-24	350	<a href="#">STEP</a>	<a href="#">PDF</a>
CC-46S	2.875	4.250	0.880	3/8-24	350	<a href="#">STEP</a>	<a href="#">PDF</a>
CC-47S	2.937	4.250	0.880	3/8-24	350	<a href="#">STEP</a>	<a href="#">PDF</a>
CC-48S	3.000	4.250	0.880	3/8-24	350	<a href="#">STEP</a>	<a href="#">PDF</a>

FOR ADDITIONAL ENGINEERING SUPPORT: (401) 728-0700