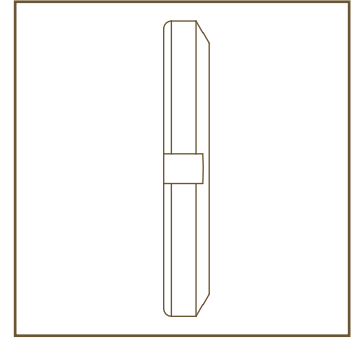
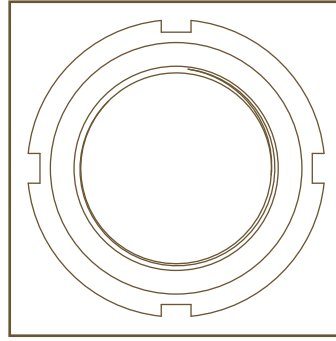
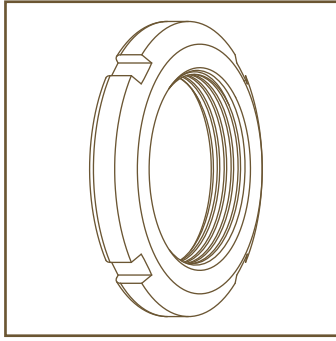




whittet-higgins company

LOCKNUT - KMS SERIES - STAINLESS



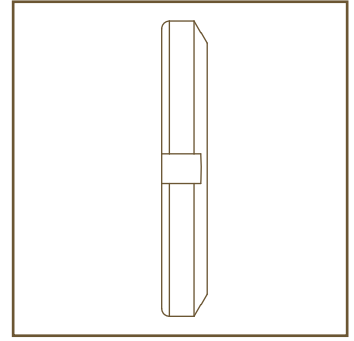
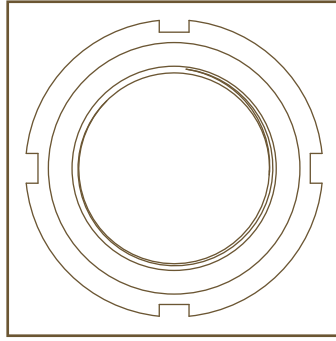
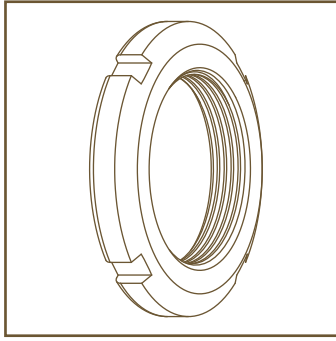
PART NUMBER	THREAD	MAX OUTSIDE DIAMETER (MM)	MAX FACE DIAMETER (MM)	MAX WIDTH (MM)	THEORETICAL AXIAL LOAD (KN)	CAD MODEL	PART PRINT
KMS-00	M10 × 0,75	18.0	13.5	4.0	6	STEP	PDF
KMS-01	M12 × 1	22.0	17.0	4.0	8	STEP	PDF
KMS-02	M15 × 1	25.0	21.0	5.0	14	STEP	PDF
KMS-03	M17 × 1	28.0	24.0	5.0	16	STEP	PDF
KMS-04	M20 × 1	32.0	26.0	6.0	24	STEP	PDF
KMS-044	M22 × 1	34.0	28.0	6.0	26	STEP	PDF
KMS-05	M25 × 1,5	38.0	32.0	7.0	32	STEP	PDF
KMS-056	M28 × 1,5	42.0	36.0	7.0	35	STEP	PDF
KMS-06	M30 × 1,5	45.0	38.0	7.0	38	STEP	PDF
KMS-064	M32 × 1,5	48.0	40.0	8.0	50	STEP	PDF
KMS-07	M35 × 1,5	52.0	44.0	8.0	54	STEP	PDF
KMS-08	M40 × 1,5	58.0	50.0	9.0	74	STEP	PDF
KMS-09	M45 × 1,5	65.0	56.0	10.0	95	STEP	PDF
KMS-10	M50 × 1,5	70.0	61.0	11.0	120	STEP	PDF
KMS-11	M55 × 2	75.0	67.0	11.0	125	STEP	PDF
KMS-12	M60 × 2	80.0	73.0	11.0	137	STEP	PDF
KMS-13	M65 × 2	85.0	79.0	12.0	167	STEP	PDF
KMS-14	M70 × 2	92.0	85.0	12.0	180	STEP	PDF
KMS-15	M75 × 2	98.0	90.0	13.0	215	STEP	PDF
KMS-16	M80 × 2	105.0	95.0	15.0	276	STEP	PDF
KMS-17	M85 × 2	110.0	102.0	16.0	318	STEP	PDF
KMS-18	M90 × 2	120.0	108.0	16.0	337	STEP	PDF
KMS-19	M95 × 2	125.0	113.0	17.0	382	STEP	PDF
KMS-20	M100 × 2	130.0	120.0	18.0	431	STEP	PDF
KMS-21	M105 × 2	140.0	126.0	18.0	452	STEP	PDF
KMS-22	M110 × 2	145.0	133.0	19.0	506	STEP	PDF
KMS-23	M115 × 2	150.0	137.0	19.0	529	STEP	PDF
KMS-24	M120 × 2	155.0	138.0	20.0	586	STEP	PDF
KMS-25	M125 × 2	160.0	148.0	21.0	648	STEP	PDF
KMS-26	M130 × 2	165.0	149.0	21.0	674	STEP	PDF
KMS-27	M135 × 2	170.0	160.0	22.0	739	STEP	PDF
KMS-28	M140 × 2	180.0	160.0	22.0	766	STEP	PDF
KMS-29	M145 × 2	190.0	171.0	24.0	879	STEP	PDF
KMS-30	M150 × 2	195.0	171.0	24.0	909	STEP	PDF

FOR ADDITIONAL ENGINEERING SUPPORT: (401) 728-0700



whittet-higgins company

LOCKNUT - KMS SERIES - STAINLESS



PART NUMBER	THREAD	MAX OUTSIDE DIAMETER (MM)	MAX FACE DIAMETER (MM)	MAX WIDTH (MM)	THEORETICAL AXIAL LOAD (KN)	CAD MODEL	PART PRINT
KMS-31	M155 × 3	200.0	182.0	25.0	969	STEP	PDF
KMS-32	M160 × 3	210.0	182.0	25.0	1000	STEP	PDF
KMS-33	M165 × 3	210.0	193.0	26.0	1082	STEP	PDF
KMS-34	M170 × 3	220.0	193.0	26.0	1115	STEP	PDF
KMS-36	M180 × 3	230.0	203.0	27.0	1233	STEP	PDF
KMS-38	M190 × 3	240.0	214.0	28.0	1351	STEP	PDF
KMS-40	M200 × 3	250.0	226.0	29.0	1483	STEP	PDF

FOR ADDITIONAL ENGINEERING SUPPORT: (401) 728-0700