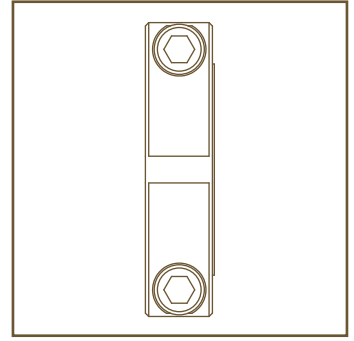
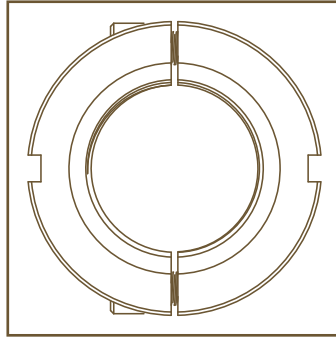
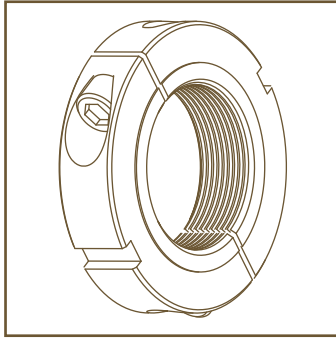


TWO-PIECE CLAMPNUT - SNS SERIES - 16 TPI



whittet-higgins company



PART NUMBER	THREAD	MAX OUTSIDE DIAMETER (INCHES)	MAX FACE DIAMETER (INCHES)	MAX WIDTH (INCHES)	THEORETICAL AXIAL LOAD (LBS)	SOCKET HEAD CAP SCREW	SUGGESTED SCREW TORQUE (IN-LBS)	CAD MODEL	PART PRINT
SNS14-16	0.875-16	1.625	1.188	0.500	20500	1/4-28	150	STEP	PDF
SNS16-16	1.000-16	1.750	1.313	0.500	23900	1/4-28	150	STEP	PDF
SNS18-16	1.125-16	1.875	1.438	0.500	27400	1/4-28	150	STEP	PDF
SNS20-16	1.250-16	2.063	1.625	0.500	30800	1/4-28	150	STEP	PDF
SNS22-16	1.375-16	2.250	1.719	0.563	38200	1/4-28	150	STEP	PDF
SNS24-16	1.500-16	2.375	1.844	0.563	41900	1/4-28	150	STEP	PDF
SNS26-16	1.625-16	2.750	1.969	0.625	52100	5/16-24	260	STEP	PDF
SNS28-16	1.750-16	2.750	2.219	0.625	56600	5/16-24	260	STEP	PDF
SNS30-16	1.875-16	2.875	2.344	0.625	61000	5/16-24	260	STEP	PDF
SNS32-16	2.000-16	3.000	2.469	0.625	65400	5/16-24	260	STEP	PDF
SNS36-16	2.250-16	3.250	2.719	0.625	74400	5/16-24	260	STEP	PDF
SNS40-16	2.500-16	3.500	2.969	0.625	83100	5/16-24	260	STEP	PDF
SNS44-16	2.750-16	3.750	3.219	0.625	92000	5/16-24	260	STEP	PDF
SNS48-16	3.000-16	4.000	3.469	0.625	100800	5/16-24	260	STEP	PDF

FOR ADDITIONAL ENGINEERING SUPPORT: (401) 728-0700