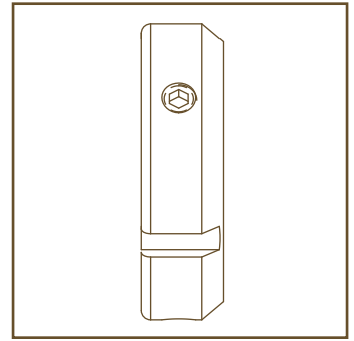
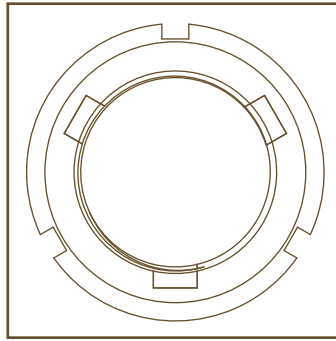
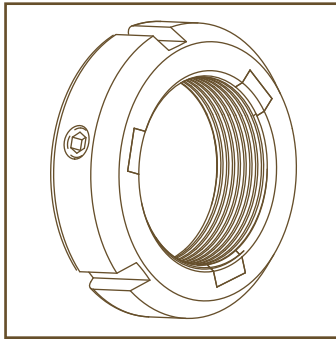


SHOELOK - NSH SERIES - INCH



whittet-higgins company



PART NUMBER	THREAD	MAX OUTSIDE DIAMETER (INCHES)	MAX FACE DIAMETER (INCHES)	MAX WIDTH (INCHES)	THEORETICAL AXIAL LOAD (LBS)	HEX SET SCREW	SUGGESTED SCREW TORQUE (IN-LBS)	CAD MODEL	PART PRINT
NSH-00	0.391-32	0.755	0.625	0.365	5800	8-32	20	STEP	PDF
NSH-01	0.469-32	0.880	0.719	0.365	8200	8-32	20	STEP	PDF
NSH-02	0.586-32	1.005	0.813	0.410	13600	8-32	20	STEP	PDF
NSH-03	0.664-32	1.120	0.934	0.410	16000	8-32	20	STEP	PDF
NSH-04	0.781-32	1.370	1.130	0.470	21100	10-24	35	STEP	PDF
NSH-05	0.969-32	1.560	1.280	0.530	33100	10-24	35	STEP	PDF
NSH-06	1.173-18	1.750	1.500	0.560	40900	1/4-20	80	STEP	PDF
NSH-065	1.312-18	2.060	1.810	0.560	47700	1/4-20	80	STEP	PDF
NSH-07	1.376-18	2.060	1.810	0.560	50700	1/4-20	80	STEP	PDF
NSH-08	1.563-18	2.250	2.000	0.560	59800	1/4-20	80	STEP	PDF
NSH-09	1.767-18	2.530	2.280	0.560	69000	1/4-20	80	STEP	PDF
NSH-10	1.967-18	2.690	2.440	0.630	89400	1/4-20	80	STEP	PDF
NSH-11	2.157-18	2.970	2.660	0.630	98800	1/4-20	80	STEP	PDF
NSH-12	2.360-18	3.160	2.840	0.660	116200	1/4-20	80	STEP	PDF
NSH-13	2.548-18	3.380	3.060	0.720	137400	1/4-20	80	STEP	PDF
NSH-14	2.751-18	3.630	3.310	0.720	150200	1/4-20	80	STEP	PDF
NSH-15	2.933-12	3.880	3.560	0.750	158400	1/4-20	80	STEP	PDF
NSH-16	3.137-12	4.160	3.840	0.750	170200	1/4-20	80	STEP	PDF
NSH-17	3.340-12	4.410	4.030	0.780	186200	5/16-18	150	STEP	PDF
NSH-18	3.527-12	4.660	4.280	0.880	232800	5/16-18	150	STEP	PDF
NSH-19	3.730-12	4.940	4.560	0.910	258700	5/16-18	150	STEP	PDF
NSH-20	3.918-12	5.190	4.810	0.940	284600	5/16-18	150	STEP	PDF
NSH-21	4.122-12	5.440	5.000	0.940	298500	5/16-18	150	STEP	PDF
NSH-22	4.325-12	5.720	5.280	0.970	327800	5/16-18	270	STEP	PDF
NSH-24	4.716-12	6.130	5.690	1.030	377200	3/8-16	270	STEP	PDF
NSH-26	5.106-12	6.750	6.190	1.090	442200	3/8-16	270	STEP	PDF
NSH-28	5.497-12	7.090	6.530	1.190	527900	3/8-16	270	STEP	PDF
NSH-30	5.888-12	7.690	7.060	1.250	604300	3/8-16	400	STEP	PDF
NSH-32	6.284-8	8.060	7.440	1.280	668700	7/16-14	400	STEP	PDF
NSH-34	6.659-8	8.660	8.030	1.340	753500	7/16-14	400	STEP	PDF
NSH-36	7.066-8	9.060	8.380	1.410	846800	7/16-14	400	STEP	PDF
NSH-38	7.472-8	9.470	8.780	1.410	899200	7/16-14	400	STEP	PDF
NSH-40	7.847-8	9.840	9.160	1.500	1007000	7/16-14	400	STEP	PDF

FOR ADDITIONAL ENGINEERING SUPPORT: (401) 728-0700