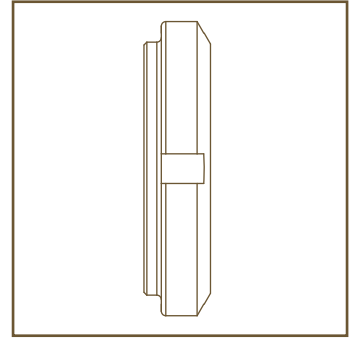
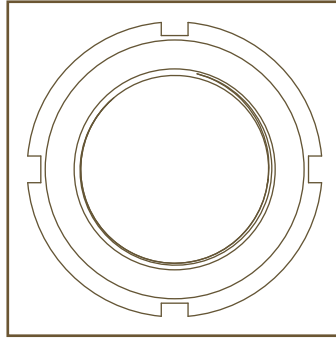
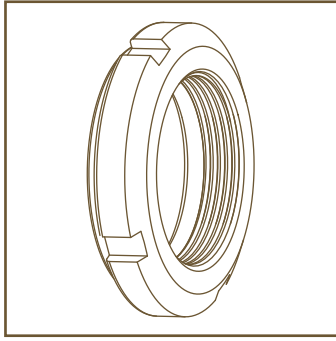


BEARHUG - BM SERIES - LEFT-HANDED



whittet-higgins company



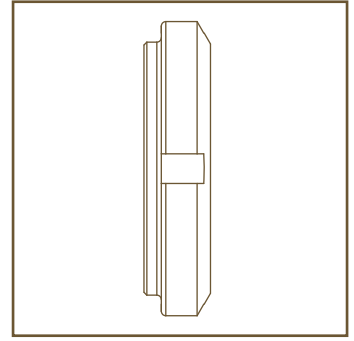
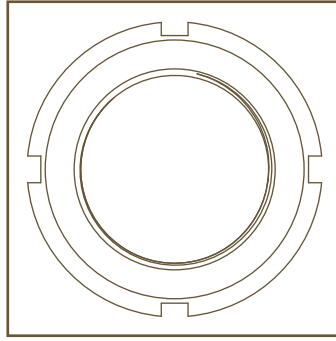
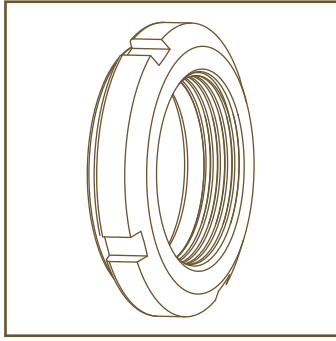
PART NUMBER	THREAD	MAX OUTSIDE DIAMETER (MM)	MAX FACE DIAMETER (MM)	MAX WIDTH (MM)	THEORETICAL AXIAL LOAD (KN)	CAD MODEL	PART PRINT
BML-00	M10 × 0,75	18.0	13.5	7.0	13	STEP	PDF
BML-01	M12 × 1	22.0	17.0	8.0	22	STEP	PDF
BML-02	M15 × 1	25.0	21.0	8.5	32	STEP	PDF
BML-03	M17 × 1	28.0	24.0	9.0	40	STEP	PDF
BML-04	M20 × 1	32.0	26.0	10.0	57	STEP	PDF
BML-044	M22 x 1	34.0	28.0	10.5	68	STEP	PDF
BML-05	M25 × 1,5	38.0	32.0	11.0	66	STEP	PDF
BML-056	M28 × 1,5	42.0	36.0	11.0	73	STEP	PDF
BML-06	M30 × 1,5	45.0	38.0	11.5	86	STEP	PDF
BML-064	M32 x 1,5	48.0	40.0	11.5	92	STEP	PDF
BML-07	M35 × 1,5	52.0	44.0	12.0	109	STEP	PDF
BML-08	M40 × 1,5	58.0	50.0	12.0	125	STEP	PDF
BML-09	M45 × 1,5	65.0	56.0	13.0	163	STEP	PDF
BML-10	M50 × 1,5	70.0	61.0	13.0	180	STEP	PDF
BML-11	M55 × 2	75.0	67.0	15.0	208	STEP	PDF
BML-12	M60 × 2	80.0	73.0	15.0	227	STEP	PDF
BML-13	M65 × 2	85.0	79.0	15.0	246	STEP	PDF
BML-14	M70 × 2	92.0	85.0	17.0	336	STEP	PDF
BML-15	M75 × 2	98.0	90.0	17.0	345	STEP	PDF
BML-16	M80 × 2	105.0	95.0	17.0	368	STEP	PDF
BML-17	M85 × 2	110.0	102.0	18.0	435	STEP	PDF
BML-18	M90 × 2	120.0	108.0	19.0	506	STEP	PDF
BML-19	M95 × 2	125.0	113.0	20.0	579	STEP	PDF
BML-20	M100 × 2	130.0	120.0	21.0	660	STEP	PDF
BML-21	M105 × 2	140.0	126.0	21.0	599	STEP	PDF
BML-22	M110 × 2	145.0	133.0	22.0	660	STEP	PDF
BML-23	M115 × 2	150.0	137.0	22.0	690	STEP	PDF
BML-24	M120 × 2	155.0	138.0	23.0	805	STEP	PDF
BML-25	M125 × 2	160.0	148.0	23.0	838	STEP	PDF
BML-26	M130 × 2	165.0	149.0	24.0	937	STEP	PDF
BML-27	M135 × 2	170.0	160.0	24.0	973	STEP	PDF
BML-28	M140 × 2	180.0	160.0	25.0	1083	STEP	PDF
BML-29	M145 × 2	190.0	171.0	25.0	1122	STEP	PDF
BML-30	M150 × 2	195.0	171.0	26.0	1233	STEP	PDF

FOR ADDITIONAL ENGINEERING SUPPORT: (401) 728-0700

BEARHUG - BM SERIES - LEFT-HANDED



whittet-higgins company



PART NUMBER	THREAD	MAX OUTSIDE DIAMETER (MM)	MAX FACE DIAMETER (MM)	MAX WIDTH (MM)	THEORETICAL AXIAL LOAD (KN)	CAD MODEL	PART PRINT
BML-31	M155 × 3	200.0	182.0	27.0	1221	STEP	PDF
BML-32	M160 × 3	210.0	182.0	28.0	1261	STEP	PDF
BML-33	M165 × 3	210.0	193.0	28.0	1300	STEP	PDF
BML-34	M170 × 3	220.0	193.0	29.0	1514	STEP	PDF
BML-36	M180 × 3	230.0	203.0	30.0	1603	STEP	PDF
BML-38	M190 × 3	240.0	214.0	31.0	1879	STEP	PDF
BML-40	M200 × 3	250.0	226.0	32.0	2082	STEP	PDF

FOR ADDITIONAL ENGINEERING SUPPORT: (401) 728-0700