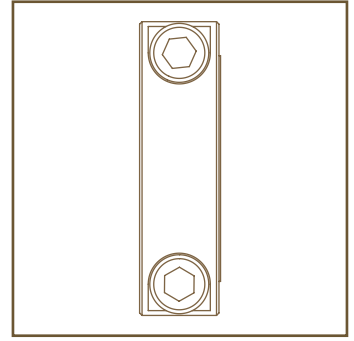
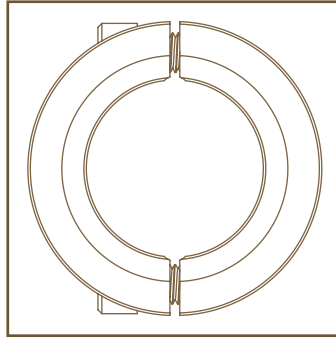
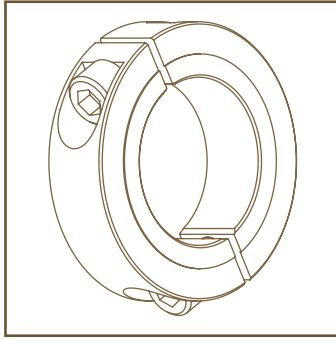




**whittet-higgins company**

## TWO-PIECE COLLAR - SC SERIES - INCH



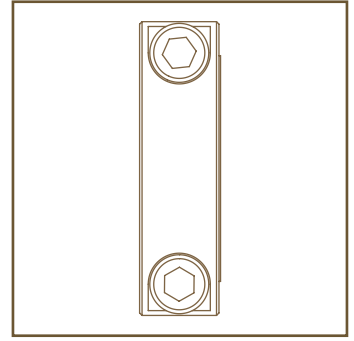
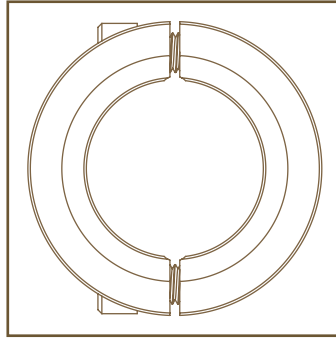
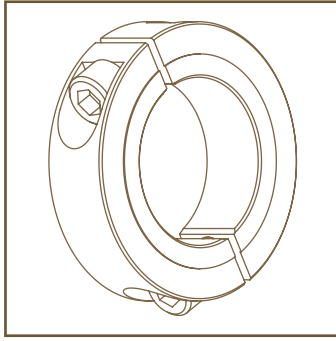
PART NUMBER	BORE	MAX OUTSIDE DIAMETER (INCHES)	MAX WIDTH (INCHES)	SOCKET HEAD CAP SCREW	SUGGESTED SCREW TORQUE (IN-LBS)	CAD MODEL	PART PRINT
SC-02	0.125	0.625	0.286	4-40	14	<a href="#">STEP</a>	<a href="#">PDF</a>
SC-03	0.187	0.625	0.286	4-40	14	<a href="#">STEP</a>	<a href="#">PDF</a>
SC-04	0.250	0.625	0.286	4-40	14	<a href="#">STEP</a>	<a href="#">PDF</a>
SC-05	0.312	0.688	0.286	4-40	14	<a href="#">STEP</a>	<a href="#">PDF</a>
SC-06	0.375	0.875	0.349	6-32	25	<a href="#">STEP</a>	<a href="#">PDF</a>
SC-07	0.437	0.938	0.349	6-32	25	<a href="#">STEP</a>	<a href="#">PDF</a>
SC-08	0.500	1.125	0.450	10-32	60	<a href="#">STEP</a>	<a href="#">PDF</a>
SC-09	0.562	1.312	0.450	10-32	60	<a href="#">STEP</a>	<a href="#">PDF</a>
SC-10	0.625	1.312	0.450	10-32	60	<a href="#">STEP</a>	<a href="#">PDF</a>
SC-11	0.687	1.500	0.520	1/4-28	150	<a href="#">STEP</a>	<a href="#">PDF</a>
SC-12	0.750	1.500	0.520	1/4-28	150	<a href="#">STEP</a>	<a href="#">PDF</a>
SC-13	0.812	1.625	0.520	1/4-28	150	<a href="#">STEP</a>	<a href="#">PDF</a>
SC-14	0.875	1.625	0.520	1/4-28	150	<a href="#">STEP</a>	<a href="#">PDF</a>
SC-15	0.937	1.750	0.520	1/4-28	150	<a href="#">STEP</a>	<a href="#">PDF</a>
SC-16	1.000	1.750	0.520	1/4-28	150	<a href="#">STEP</a>	<a href="#">PDF</a>
SC-17	1.062	1.875	0.520	1/4-28	150	<a href="#">STEP</a>	<a href="#">PDF</a>
SC-18	1.125	1.875	0.520	1/4-28	150	<a href="#">STEP</a>	<a href="#">PDF</a>
SC-19	1.187	2.062	0.520	1/4-28	150	<a href="#">STEP</a>	<a href="#">PDF</a>
SC-20	1.250	2.062	0.520	1/4-28	150	<a href="#">STEP</a>	<a href="#">PDF</a>
SC-21	1.312	2.250	0.567	1/4-28	150	<a href="#">STEP</a>	<a href="#">PDF</a>
SC-22	1.375	2.250	0.567	1/4-28	150	<a href="#">STEP</a>	<a href="#">PDF</a>
SC-23	1.437	2.375	0.567	1/4-28	150	<a href="#">STEP</a>	<a href="#">PDF</a>
SC-24	1.500	2.375	0.567	1/4-28	150	<a href="#">STEP</a>	<a href="#">PDF</a>
SC-25	1.562	2.375	0.567	1/4-28	150	<a href="#">STEP</a>	<a href="#">PDF</a>
SC-26	1.625	2.750	0.645	5/16-24	260	<a href="#">STEP</a>	<a href="#">PDF</a>
SC-27	1.687	2.750	0.645	5/16-24	260	<a href="#">STEP</a>	<a href="#">PDF</a>
SC-28	1.750	2.750	0.645	5/16-24	260	<a href="#">STEP</a>	<a href="#">PDF</a>
SC-29	1.812	2.875	0.645	5/16-24	260	<a href="#">STEP</a>	<a href="#">PDF</a>
SC-30	1.875	2.875	0.645	5/16-24	260	<a href="#">STEP</a>	<a href="#">PDF</a>
SC-31	1.937	3.000	0.645	5/16-24	260	<a href="#">STEP</a>	<a href="#">PDF</a>
SC-32	2.000	3.000	0.645	5/16-24	260	<a href="#">STEP</a>	<a href="#">PDF</a>
SC-33	2.062	3.250	0.760	5/16-24	260	<a href="#">STEP</a>	<a href="#">PDF</a>
SC-34	2.125	3.250	0.760	5/16-24	260	<a href="#">STEP</a>	<a href="#">PDF</a>
SC-35	2.187	3.250	0.760	5/16-24	260	<a href="#">STEP</a>	<a href="#">PDF</a>

FOR ADDITIONAL ENGINEERING SUPPORT: (401) 728-0700



**whittet-higgins company**

## TWO-PIECE COLLAR - SC SERIES - INCH



PART NUMBER	BORE	MAX OUTSIDE DIAMETER (INCHES)	MAX WIDTH (INCHES)	SOCKET HEAD CAP SCREW	SUGGESTED SCREW TORQUE (IN-LBS)	CAD MODEL	PART PRINT
SC-36	2.250	3.250	0.760	5/16-24	260	<a href="#">STEP</a>	<a href="#">PDF</a>
SC-37	2.312	3.500	0.760	5/16-24	260	<a href="#">STEP</a>	<a href="#">PDF</a>
SC-38	2.375	3.500	0.760	5/16-24	260	<a href="#">STEP</a>	<a href="#">PDF</a>
SC-39	2.437	3.750	0.880	3/8-24	500	<a href="#">STEP</a>	<a href="#">PDF</a>
SC-40	2.500	3.750	0.880	3/8-24	500	<a href="#">STEP</a>	<a href="#">PDF</a>
SC-41	2.562	4.000	0.880	3/8-24	500	<a href="#">STEP</a>	<a href="#">PDF</a>
SC-42	2.625	4.000	0.880	3/8-24	500	<a href="#">STEP</a>	<a href="#">PDF</a>
SC-43	2.687	4.000	0.880	3/8-24	500	<a href="#">STEP</a>	<a href="#">PDF</a>
SC-44	2.750	4.000	0.880	3/8-24	500	<a href="#">STEP</a>	<a href="#">PDF</a>
SC-45	2.812	4.250	0.880	3/8-24	500	<a href="#">STEP</a>	<a href="#">PDF</a>
SC-46	2.875	4.250	0.880	3/8-24	500	<a href="#">STEP</a>	<a href="#">PDF</a>
SC-47	2.937	4.250	0.880	3/8-24	500	<a href="#">STEP</a>	<a href="#">PDF</a>
SC-48	3.000	4.250	0.880	3/8-24	500	<a href="#">STEP</a>	<a href="#">PDF</a>
SC-50	3.125	4.500	0.880	3/8-24	500	<a href="#">STEP</a>	<a href="#">PDF</a>
SC-52	3.250	4.500	0.880	3/8-24	500	<a href="#">STEP</a>	<a href="#">PDF</a>
SC-54	3.375	4.750	0.880	3/8-24	500	<a href="#">STEP</a>	<a href="#">PDF</a>
SC-56	3.500	4.750	0.880	3/8-24	500	<a href="#">STEP</a>	<a href="#">PDF</a>
SC-58	3.625	5.000	0.880	3/8-24	500	<a href="#">STEP</a>	<a href="#">PDF</a>
SC-60	3.750	5.000	0.880	3/8-24	500	<a href="#">STEP</a>	<a href="#">PDF</a>
SC-62	3.875	5.250	0.880	3/8-24	500	<a href="#">STEP</a>	<a href="#">PDF</a>
SC-64	4.000	5.250	0.880	3/8-24	500	<a href="#">STEP</a>	<a href="#">PDF</a>

FOR ADDITIONAL ENGINEERING SUPPORT: (401) 728-0700