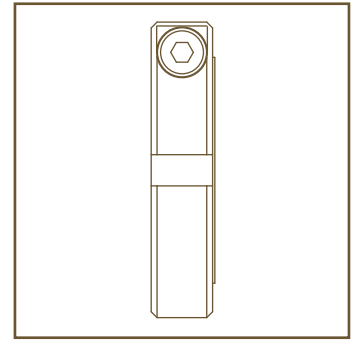
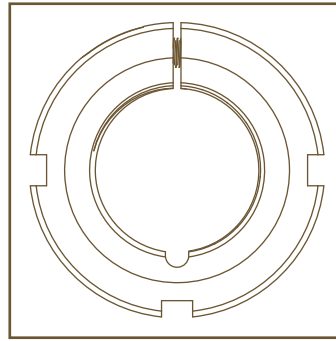
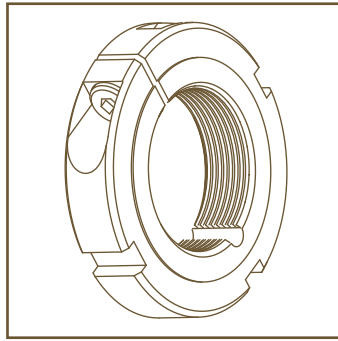


ONE-PIECE CLAMPNUT - CNS SERIES - ALUMINUM



whittet-higgins company



PART NUMBER	THREAD	MAX OUTSIDE DIAMETER (INCHES)	MAX FACE DIAMETER (INCHES)	MAX WIDTH (INCHES)	THEORETICAL AXIAL LOAD (LBS)	SOCKET HEAD CAP SCREW	SUGGESTED SCREW TORQUE (IN-LBS)	CAD MODEL	PART PRINT
CNS14-16A	0.875-16	1.625	1.188	0.500	15300	1/4-28	150	STEP	PDF
CNS16-16A	1.000-16	1.750	1.313	0.500	17900	1/4-28	150	STEP	PDF
CNS18-16A	1.125-16	1.875	1.438	0.500	20400	1/4-28	150	STEP	PDF
CNS20-16A	1.250-16	2.063	1.625	0.500	23000	1/4-28	150	STEP	PDF
CNS22-16A	1.375-16	2.250	1.719	0.563	28500	1/4-28	150	STEP	PDF
CNS24-16A	1.500-16	2.375	1.844	0.563	31300	1/4-28	150	STEP	PDF
CNS26-16A	1.625-16	2.750	1.969	0.625	39000	5/16-24	260	STEP	PDF
CNS28-16A	1.750-16	2.750	2.219	0.625	42300	5/16-24	260	STEP	PDF
CNS30-16A	1.875-16	2.875	2.344	0.625	45600	5/16-24	260	STEP	PDF
CNS32-16A	2.000-16	3.000	2.469	0.625	48900	5/16-24	260	STEP	PDF
CNS36-16A	2.250-16	3.250	2.719	0.625	55600	5/16-24	260	STEP	PDF
CNS40-16A	2.500-16	3.500	2.969	0.625	62100	5/16-24	260	STEP	PDF
CNS44-16A	2.750-16	3.750	3.219	0.625	68800	5/16-24	260	STEP	PDF
CNS48-16A	3.000-16	4.000	3.469	0.625	75400	5/16-24	260	STEP	PDF

FOR ADDITIONAL ENGINEERING SUPPORT: (401) 728-0700