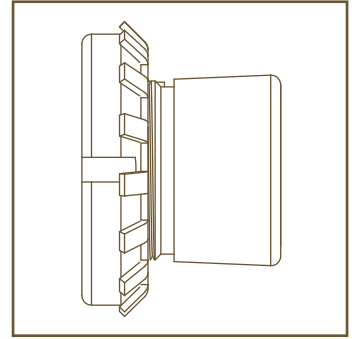
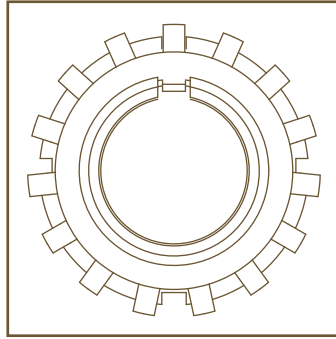
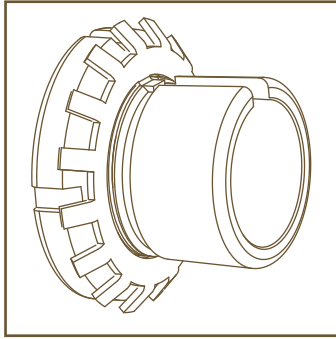




whittet-higgins company

BEARING ADAPTER SET - SNW-3100 SERIES



PART NUMBER	THREAD	MAX TAPER DIAMETER (INCHES)	BORE (INCHES)	MAX LENGTH (INCHES)	LOCKNUT	LOCKWASHER	CAD MODEL	PART PRINT
SNW-3122 3-15/16	4.325-12	4.520	3.940	3.220	N-022	W-022	STEP	PDF
SNW-3124 4-3/16	4.716.12	4.94	4.19	3.48	N-024	W-024	STEP	PDF
SNW-3126 4-7/16	5.106-12	5.35	4.44	3.77	N-026	W-026	STEP	PDF
SNW-3128 4-15/16	5.497-12	5.76	4.94	3.99	N-028	W-028	STEP	PDF
SNW-3130 5-3/16	5.888-12	6.17	5.19	4.25	N-030	W-030	STEP	PDF
SNW-3132 5-7/16	6.284-8	6.58	5.44	4.59	N-032	W-032	STEP	PDF
SNW-3134 5 15/16	6.659-8	7	5.94	4.86	N-034	W-034	STEP	PDF
SNW-3136 6 7/16	7.066-8	7.4	6.44	5.05	N-036	W-036	STEP	PDF
SNW-3138 6 15/16	7.472-8	7.81	6.94	5.27	N-038	W-038	STEP	PDF
SNW-3140 7 3/16	7.847-8	8.22	7.19	5.49	N-040	W-040	STEP	PDF
SNW-3144 7 15/16	8.628-8	9.04	7.94	5.91	N-044	W-044	STEP	PDF

FOR ADDITIONAL ENGINEERING SUPPORT: (401) 728-0700