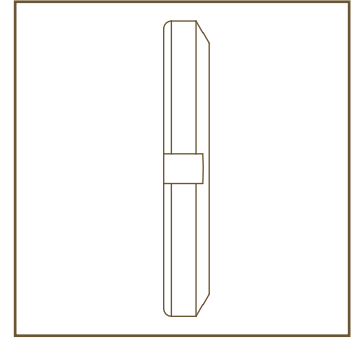
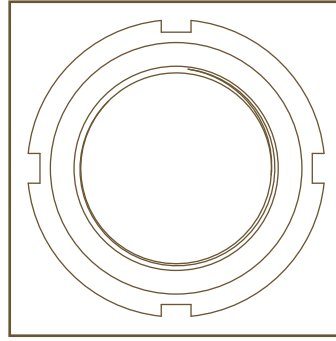
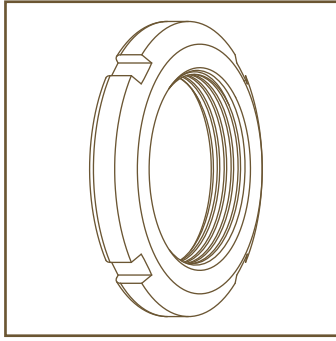




**whittet-higgins company**

## LOCKNUT - KMM SERIES - HIGH STRENGTH



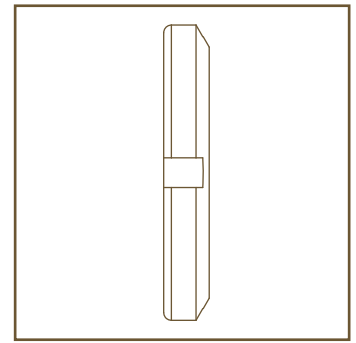
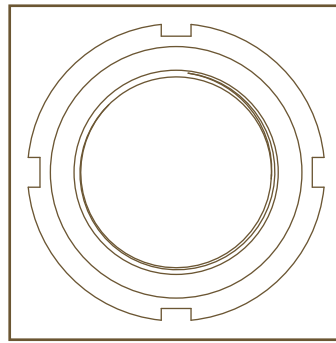
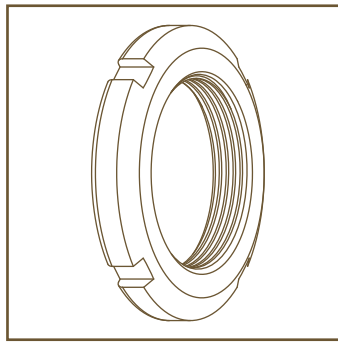
PART NUMBER	THREAD	MAX OUTSIDE DIAMETER (MM)	MAX FACE DIAMETER (MM)	MAX WIDTH (MM)	THEORETICAL AXIAL LOAD (KN)	CAD MODEL	PART PRINT
KMM-00	M10 × 0,75	18.0	13.5	4.0	16	<a href="#">STEP</a>	<a href="#">PDF</a>
KMM-01	M12 × 1	22.0	17.0	4.0	19	<a href="#">STEP</a>	<a href="#">PDF</a>
KMM-02	M15 × 1	25.0	21.0	5.0	35	<a href="#">STEP</a>	<a href="#">PDF</a>
KMM-03	M17 × 1	28.0	24.0	5.0	40	<a href="#">STEP</a>	<a href="#">PDF</a>
KMM-04	M20 × 1	32.0	26.0	6.0	60	<a href="#">STEP</a>	<a href="#">PDF</a>
KMM-044	M22 × 1	34.0	28.0	6.0	67	<a href="#">STEP</a>	<a href="#">PDF</a>
KMM-05	M25 × 1,5	38.0	32.0	7.0	81	<a href="#">STEP</a>	<a href="#">PDF</a>
KMM-056	M28 × 1,5	42.0	36.0	7.0	91	<a href="#">STEP</a>	<a href="#">PDF</a>
KMM-06	M30 × 1,5	45.0	38.0	7.0	97	<a href="#">STEP</a>	<a href="#">PDF</a>
KMM-064	M32 × 1,5	48.0	40.0	8.0	127	<a href="#">STEP</a>	<a href="#">PDF</a>
KMM-07	M35 × 1,5	52.0	44.0	8.0	139	<a href="#">STEP</a>	<a href="#">PDF</a>
KMM-08	M40 × 1,5	58.0	50.0	9.0	188	<a href="#">STEP</a>	<a href="#">PDF</a>
KMM-09	M45 × 1,5	65.0	56.0	10.0	244	<a href="#">STEP</a>	<a href="#">PDF</a>
KMM-10	M50 × 1,5	70.0	61.0	11.0	307	<a href="#">STEP</a>	<a href="#">PDF</a>
KMM-11	M55 × 2	75.0	67.0	11.0	320	<a href="#">STEP</a>	<a href="#">PDF</a>
KMM-12	M60 × 2	80.0	73.0	11.0	349	<a href="#">STEP</a>	<a href="#">PDF</a>
KMM-13	M65 × 2	85.0	79.0	12.0	427	<a href="#">STEP</a>	<a href="#">PDF</a>
KMM-14	M70 × 2	92.0	85.0	12.0	460	<a href="#">STEP</a>	<a href="#">PDF</a>
KMM-15	M75 × 2	98.0	90.0	13.0	550	<a href="#">STEP</a>	<a href="#">PDF</a>
KMM-16	M80 × 2	105.0	95.0	15.0	705	<a href="#">STEP</a>	<a href="#">PDF</a>
KMM-17	M85 × 2	110.0	102.0	16.0	814	<a href="#">STEP</a>	<a href="#">PDF</a>
KMM-18	M90 × 2	120.0	108.0	16.0	862	<a href="#">STEP</a>	<a href="#">PDF</a>
KMM-19	M95 × 2	125.0	113.0	17.0	977	<a href="#">STEP</a>	<a href="#">PDF</a>
KMM-20	M100 × 2	130.0	120.0	18.0	1101	<a href="#">STEP</a>	<a href="#">PDF</a>
KMM-21	M105 × 2	140.0	126.0	18.0	1156	<a href="#">STEP</a>	<a href="#">PDF</a>
KMM-22	M110 × 2	145.0	133.0	19.0	1293	<a href="#">STEP</a>	<a href="#">PDF</a>
KMM-23	M115 × 2	150.0	137.0	19.0	1352	<a href="#">STEP</a>	<a href="#">PDF</a>
KMM-24	M120 × 2	155.0	138.0	20.0	1499	<a href="#">STEP</a>	<a href="#">PDF</a>
KMM-25	M125 × 2	160.0	148.0	21.0	1657	<a href="#">STEP</a>	<a href="#">PDF</a>
KMM-26	M130 × 2	165.0	149.0	21.0	1723	<a href="#">STEP</a>	<a href="#">PDF</a>
KMM-27	M135 × 2	170.0	160.0	22.0	1890	<a href="#">STEP</a>	<a href="#">PDF</a>
KMM-28	M140 × 2	180.0	160.0	22.0	1960	<a href="#">STEP</a>	<a href="#">PDF</a>
KMM-29	M145 × 2	190.0	171.0	24.0	2247	<a href="#">STEP</a>	<a href="#">PDF</a>
KMM-30	M150 × 2	195.0	171.0	24.0	2325	<a href="#">STEP</a>	<a href="#">PDF</a>

FOR ADDITIONAL ENGINEERING SUPPORT: (401) 728-0700



**whittet-higgins company**

## LOCKNUT - KMM SERIES - HIGH STRENGTH



PART NUMBER	THREAD	MAX OUTSIDE DIAMETER (MM)	MAX FACE DIAMETER (MM)	MAX WIDTH (MM)	THEORETICAL AXIAL LOAD (KN)	CAD MODEL	PART PRINT
KMM-31	M155 × 3	200.0	182.0	25.0	2478	<a href="#">STEP</a>	<a href="#">PDF</a>
KMM-32	M160 × 3	210.0	182.0	25.0	2559	<a href="#">STEP</a>	<a href="#">PDF</a>
KMM-33	M165 × 3	210.0	193.0	26.0	2767	<a href="#">STEP</a>	<a href="#">PDF</a>
KMM-34	M170 × 3	220.0	193.0	26.0	2851	<a href="#">STEP</a>	<a href="#">PDF</a>
KMM-36	M180 × 3	230.0	203.0	27.0	3155	<a href="#">STEP</a>	<a href="#">PDF</a>
KMM-38	M190 × 3	240.0	214.0	28.0	3455	<a href="#">STEP</a>	<a href="#">PDF</a>
KMM-40	M200 × 3	250.0	226.0	29.0	3791	<a href="#">STEP</a>	<a href="#">PDF</a>

FOR ADDITIONAL ENGINEERING SUPPORT: (401) 728-0700