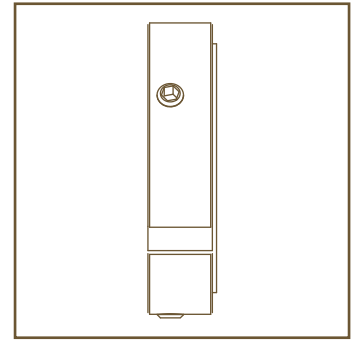
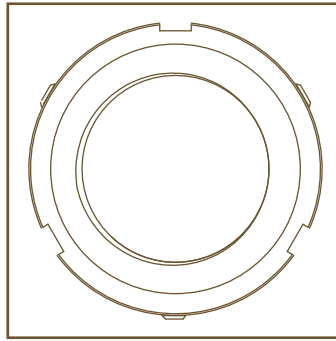
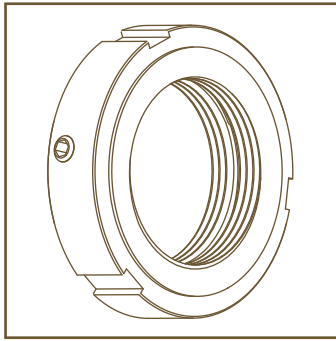


TANGENTLOK - TLM SERIES - METRIC



whittet-higgins company



PART NUMBER	THREAD	MAX OUTSIDE DIAMETER (INCHES)	MAX FACE DIAMETER (INCHES)	MAX WIDTH (INCHES)	THEORETICAL AXIAL LOAD (LBS)	HEX SET SCREW	SUGGESTED SCREW TORQUE (IN-LBS)	CAD MODEL	PART PRINT
TLM-00	M10 X 0.75	22.4	15.9	9.8	32	10-32	22	STEP	PDF
TLM-01	M12 X 1.0	25.6	18.3	9.8	39	10-32	22	STEP	PDF
TLM-02	M15 X 1.0	28.8	20.7	9.8	49	10-32	22	STEP	PDF
TLM-03	M17 X 1.0	28.8	23.9	9.8	56	10-32	22	STEP	PDF
TLM-04	M20 X 1.0	35.1	28.6	9.8	65	10-32	22	STEP	PDF
TLM-05	M25 X 1.5	39.9	32.6	10.6	74	10-32	22	STEP	PDF
TLM-06	M30 X 1.5	44.6	38.1	10.6	89	10-32	22	STEP	PDF
TLM-064	M32 X 1.5	52.6	46.1	11.4	107	1/4-28	52	STEP	PDF
TLM-07	M35 X 1.5	52.6	46.1	11.4	118	1/4-28	52	STEP	PDF
TLM-08	M40 X 1.5	57.3	50.8	11.4	134	1/4-28	52	STEP	PDF
TLM-09	M45 X 1.5	64.5	58.0	11.4	151	1/4-28	52	STEP	PDF
TLM-10	M50 X 1.5	68.5	62.0	13.0	207	1/4-28	52	STEP	PDF
TLM-11	M55 X 2.0	75.6	67.5	13.0	216	1/4-28	52	STEP	PDF
TLM-12	M60 X 2.0	80.3	72.3	13.8	260	1/4-28	52	STEP	PDF
TLM-13	M65 X 2.0	85.9	77.9	14.6	281	1/4-28	52	STEP	PDF
TLM-14	M70 X 2.0	92.3	84.2	14.6	303	1/4-28	52	STEP	PDF
TLM-15	M75 X 2.0	98.6	90.6	15.4	368	5/16-18	104	STEP	PDF
TLM-16	M80 X 2.0	105.7	97.6	15.3	377	5/16-18	104	STEP	PDF
TLM-17	M85 X 2.0	112.0	102.0	16.0	435	5/16-18	104	STEP	PDF
TLM-18	M90 X 2.0	118.4	108.7	17.7	533	5/16-18	104	STEP	PDF
TLM-19	M95 X 2.0	125.5	115.9	18.5	599	5/16-18	104	STEP	PDF
TLM-20	M100 X 2.0	131.9	122.2	19.3	670	5/16-18	104	STEP	PDF
TLM-21	M105 X 2.0	138.2	127.0	19.3	704	3/8-16	182	STEP	PDF
TLM-22	M110 X 2.0	145.3	134.1	20.1	781	3/8-16	182	STEP	PDF
TLM-24	M120 X 2.0	155.7	144.5	20.9	902	3/8-16	182	STEP	PDF
TLM-26	M130 X 2.0	171.6	157.2	22.5	1080	7/16-14	285	STEP	PDF
TLM-28	M140 X 2.0	180.3	165.9	20.1	1277	7/16-14	285	STEP	PDF
TLM-30	M150 X 2.0	195.4	179.4	24.9	1428	7/16-14	285	STEP	PDF
TLM-32	M160 X 2.0	204.9	188.9	26.4	1571	7/16-14	285	STEP	PDF
TLM-34	M170 X 2.0	220.0	204.0	27.3	1741	1/2-13	410	STEP	PDF
TLM-36	M180 X 3.0	230.3	202.7	28.1	1917	1/2-13	410	STEP	PDF
TLM-38	M190 X 3.0	240.6	223.1	28.8	2089	1/2-13	410	STEP	PDF
TLM-40	M200 X 3.0	250.2	232.6	30.5	2364	1/2-13	410	STEP	PDF

FOR ADDITIONAL ENGINEERING SUPPORT: (401) 728-0700