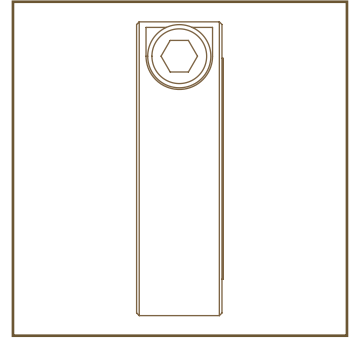
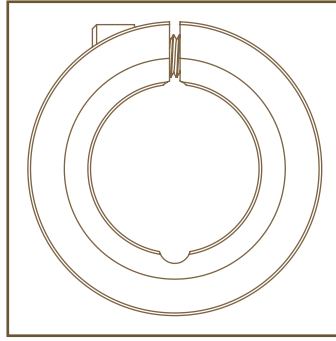
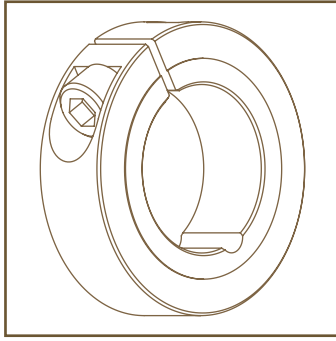


ONE-PIECE COLLAR - CC SERIES - ALUMINUM



whittet-higgins company



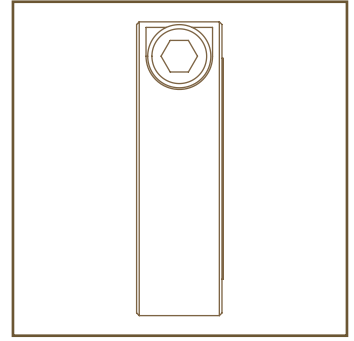
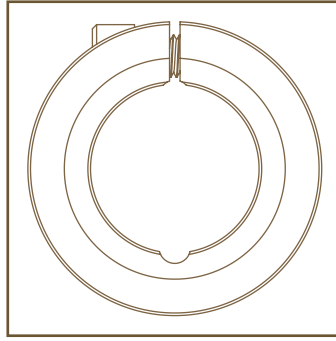
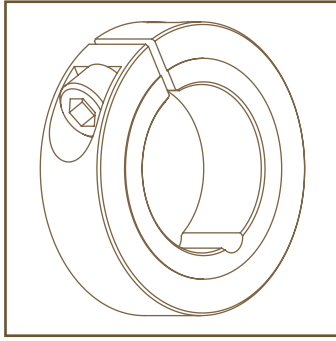
PART NUMBER	BORE	MAX OUTSIDE DIAMETER (INCHES)	MAX WIDTH (INCHES)	SOCKET HEAD CAP SCREW	SUGGESTED SCREW TORQUE (IN-LBS)	CAD MODEL	PART PRINT
CC-02A	0.125	0.625	0.286	4-40	14	STEP	PDF
CC-03A	0.187	0.625	0.286	4-40	14	STEP	PDF
CC-04A	0.250	0.625	0.286	4-40	14	STEP	PDF
CC-05A	0.312	0.688	0.286	4-40	14	STEP	PDF
CC-06A	0.375	0.875	0.349	6-32	25	STEP	PDF
CC-07A	0.437	0.938	0.349	6-32	25	STEP	PDF
CC-08A	0.500	1.125	0.450	10-32	60	STEP	PDF
CC-09A	0.562	1.312	0.450	10-32	60	STEP	PDF
CC-10A	0.625	1.312	0.450	10-32	60	STEP	PDF
CC-11A	0.687	1.500	0.520	1/4-28	150	STEP	PDF
CC-12A	0.750	1.500	0.520	1/4-28	150	STEP	PDF
CC-13A	0.812	1.625	0.520	1/4-28	150	STEP	PDF
CC-14A	0.875	1.625	0.520	1/4-28	150	STEP	PDF
CC-15A	0.937	1.750	0.520	1/4-28	150	STEP	PDF
CC-16A	1.000	1.750	0.520	1/4-28	150	STEP	PDF
CC-17A	1.062	1.875	0.520	1/4-28	150	STEP	PDF
CC-18A	1.125	1.875	0.520	1/4-28	150	STEP	PDF
CC-19A	1.187	2.062	0.520	1/4-28	150	STEP	PDF
CC-20A	1.250	2.062	0.520	1/4-28	150	STEP	PDF
CC-21A	1.312	2.250	0.567	1/4-28	150	STEP	PDF
CC-22A	1.375	2.250	0.567	1/4-28	150	STEP	PDF
CC-23A	1.437	2.375	0.567	1/4-28	150	STEP	PDF
CC-24A	1.500	2.375	0.567	1/4-28	150	STEP	PDF
CC-25A	1.562	2.375	0.567	1/4-28	150	STEP	PDF
CC-26A	1.625	2.750	0.645	5/16-24	260	STEP	PDF
CC-27A	1.687	2.750	0.645	5/16-24	260	STEP	PDF
CC-28A	1.750	2.750	0.645	5/16-24	260	STEP	PDF
CC-29A	1.812	2.875	0.645	5/16-24	260	STEP	PDF
CC-30A	1.875	2.875	0.645	5/16-24	260	STEP	PDF
CC-31A	1.937	3.000	0.645	5/16-24	260	STEP	PDF
CC-32A	2.000	3.000	0.645	5/16-24	260	STEP	PDF
CC-33A	2.062	3.250	0.760	5/16-24	260	STEP	PDF
CC-34A	2.125	3.250	0.760	5/16-24	260	STEP	PDF
CC-35A	2.187	3.250	0.760	5/16-24	260	STEP	PDF

FOR ADDITIONAL ENGINEERING SUPPORT: (401) 728-0700

ONE-PIECE COLLAR - CC SERIES - ALUMINUM



whittet-higgins company



PART NUMBER	BORE	MAX OUTSIDE DIAMETER (INCHES)	MAX WIDTH (INCHES)	SOCKET HEAD CAP SCREW	SUGGESTED SCREW TORQUE (IN-LBS)	CAD MODEL	PART PRINT
CC-36A	2.250	3.250	0.760	5/16-24	260	STEP	PDF
CC-37A	2.312	3.500	0.760	5/16-24	260	STEP	PDF
CC-38A	2.375	3.500	0.760	5/16-24	260	STEP	PDF
CC-39A	2.437	3.750	0.880	3/8-24	500	STEP	PDF
CC-40A	2.500	3.750	0.880	3/8-24	500	STEP	PDF
CC-41A	2.562	4.000	0.880	3/8-24	500	STEP	PDF
CC-42A	2.625	4.000	0.880	3/8-24	500	STEP	PDF
CC-43A	2.687	4.000	0.880	3/8-24	500	STEP	PDF
CC-44A	2.750	4.000	0.880	3/8-24	500	STEP	PDF
CC-45A	2.812	4.250	0.880	3/8-24	500	STEP	PDF
CC-46A	2.875	4.250	0.880	3/8-24	500	STEP	PDF
CC-47A	2.937	4.250	0.880	3/8-24	500	STEP	PDF
CC-48A	3.000	4.250	0.880	3/8-24	500	STEP	PDF

FOR ADDITIONAL ENGINEERING SUPPORT: (401) 728-0700