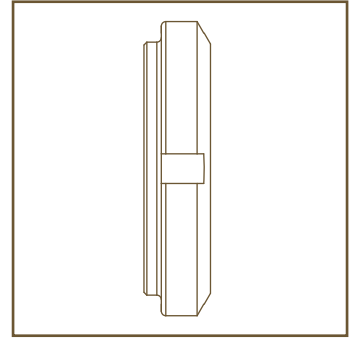
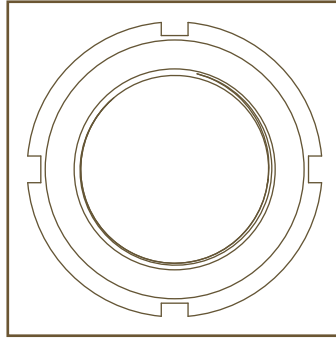
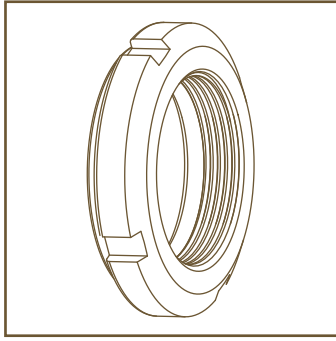


# BEARHUG - BMS SERIES - STAINLESS



whittet-higgins company



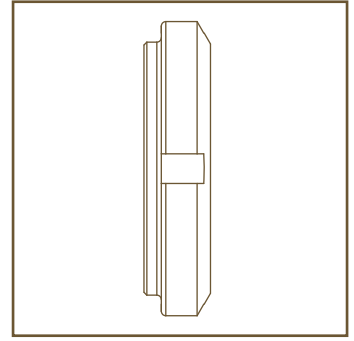
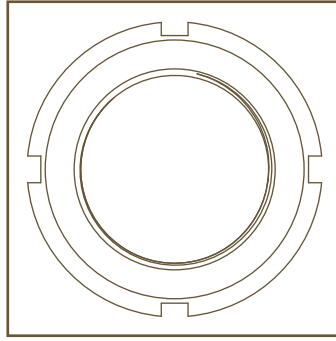
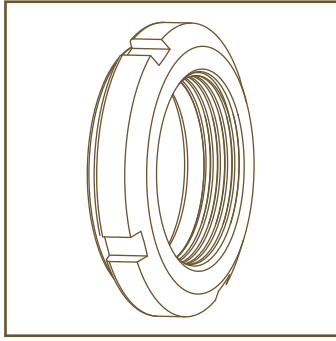
PART NUMBER	THREAD	MAX OUTSIDE DIAMETER (MM)	MAX FACE DIAMETER (MM)	MAX WIDTH (MM)	THEORETICAL AXIAL LOAD (KN)	CAD MODEL	PART PRINT
BMS-00	M10 × 0,75	18.0	13.5	7.0	7	<a href="#">STEP</a>	<a href="#">PDF</a>
BMS-01	M12 × 1	22.0	17.0	8.0	13	<a href="#">STEP</a>	<a href="#">PDF</a>
BMS-02	M15 × 1	25.0	21.0	8.5	18	<a href="#">STEP</a>	<a href="#">PDF</a>
BMS-03	M17 × 1	28.0	24.0	9.0	23	<a href="#">STEP</a>	<a href="#">PDF</a>
BMS-04	M20 × 1	32.0	26.0	10.0	33	<a href="#">STEP</a>	<a href="#">PDF</a>
BMS-044	M22 × 1	34.0	28.0	10.5	39	<a href="#">STEP</a>	<a href="#">PDF</a>
BMS-05	M25 × 1,5	38.0	32.0	11.0	38	<a href="#">STEP</a>	<a href="#">PDF</a>
BMS-056	M28 × 1,5	42.0	36.0	11.0	42	<a href="#">STEP</a>	<a href="#">PDF</a>
BMS-06	M30 × 1,5	45.0	38.0	11.5	50	<a href="#">STEP</a>	<a href="#">PDF</a>
BMS-064	M32 × 1,5	48.0	40.0	11.5	53	<a href="#">STEP</a>	<a href="#">PDF</a>
BMS-07	M35 × 1,5	52.0	44.0	12.0	63	<a href="#">STEP</a>	<a href="#">PDF</a>
BMS-08	M40 × 1,5	58.0	50.0	12.0	72	<a href="#">STEP</a>	<a href="#">PDF</a>
BMS-09	M45 × 1,5	65.0	56.0	13.0	94	<a href="#">STEP</a>	<a href="#">PDF</a>
BMS-10	M50 × 1,5	70.0	61.0	13.0	104	<a href="#">STEP</a>	<a href="#">PDF</a>
BMS-11	M55 × 2	75.0	67.0	15.0	120	<a href="#">STEP</a>	<a href="#">PDF</a>
BMS-12	M60 × 2	80.0	73.0	15.0	131	<a href="#">STEP</a>	<a href="#">PDF</a>
BMS-13	M65 × 2	85.0	79.0	15.0	142	<a href="#">STEP</a>	<a href="#">PDF</a>
BMS-14	M70 × 2	92.0	85.0	17.0	194	<a href="#">STEP</a>	<a href="#">PDF</a>
BMS-15	M75 × 2	98.0	90.0	17.0	199	<a href="#">STEP</a>	<a href="#">PDF</a>
BMS-16	M80 × 2	105.0	95.0	17.0	213	<a href="#">STEP</a>	<a href="#">PDF</a>
BMS-17	M85 × 2	110.0	102.0	18.0	251	<a href="#">STEP</a>	<a href="#">PDF</a>
BMS-18	M90 × 2	120.0	108.0	19.0	292	<a href="#">STEP</a>	<a href="#">PDF</a>
BMS-19	M95 × 2	125.0	113.0	20.0	335	<a href="#">STEP</a>	<a href="#">PDF</a>
BMS-20	M100 × 2	130.0	120.0	21.0	382	<a href="#">STEP</a>	<a href="#">PDF</a>
BMS-21	M105 × 2	140.0	126.0	21.0	346	<a href="#">STEP</a>	<a href="#">PDF</a>
BMS-22	M110 × 2	145.0	133.0	22.0	381	<a href="#">STEP</a>	<a href="#">PDF</a>
BMS-23	M115 × 2	150.0	137.0	22.0	399	<a href="#">STEP</a>	<a href="#">PDF</a>
BMS-24	M120 × 2	155.0	138.0	23.0	465	<a href="#">STEP</a>	<a href="#">PDF</a>
BMS-25	M125 × 2	160.0	148.0	23.0	485	<a href="#">STEP</a>	<a href="#">PDF</a>
BMS-26	M130 × 2	165.0	149.0	24.0	542	<a href="#">STEP</a>	<a href="#">PDF</a>
BMS-27	M135 × 2	170.0	160.0	24.0	562	<a href="#">STEP</a>	<a href="#">PDF</a>
BMS-28	M140 × 2	180.0	160.0	25.0	626	<a href="#">STEP</a>	<a href="#">PDF</a>
BMS-29	M145 × 2	190.0	171.0	25.0	648	<a href="#">STEP</a>	<a href="#">PDF</a>
BMS-30	M150 × 2	195.0	171.0	26.0	713	<a href="#">STEP</a>	<a href="#">PDF</a>

FOR ADDITIONAL ENGINEERING SUPPORT: (401) 728-0700



**whittet-higgins company**

## BEARHUG - BMS SERIES - STAINLESS



PART NUMBER	THREAD	MAX OUTSIDE DIAMETER (MM)	MAX FACE DIAMETER (MM)	MAX WIDTH (MM)	THEORETICAL AXIAL LOAD (KN)	CAD MODEL	PART PRINT
BMS-31	M155 × 3	200.0	182.0	27.0	706	<a href="#">STEP</a>	<a href="#">PDF</a>
BMS-32	M160 × 3	210.0	182.0	28.0	729	<a href="#">STEP</a>	<a href="#">PDF</a>
BMS-33	M165 × 3	210.0	193.0	28.0	752	<a href="#">STEP</a>	<a href="#">PDF</a>
BMS-34	M170 × 3	220.0	193.0	29.0	875	<a href="#">STEP</a>	<a href="#">PDF</a>
BMS-36	M180 × 3	230.0	203.0	30.0	926	<a href="#">STEP</a>	<a href="#">PDF</a>
BMS-38	M190 × 3	240.0	214.0	31.0	1086	<a href="#">STEP</a>	<a href="#">PDF</a>
BMS-40	M200 × 3	250.0	226.0	32.0	1204	<a href="#">STEP</a>	<a href="#">PDF</a>

FOR ADDITIONAL ENGINEERING SUPPORT: (401) 728-0700